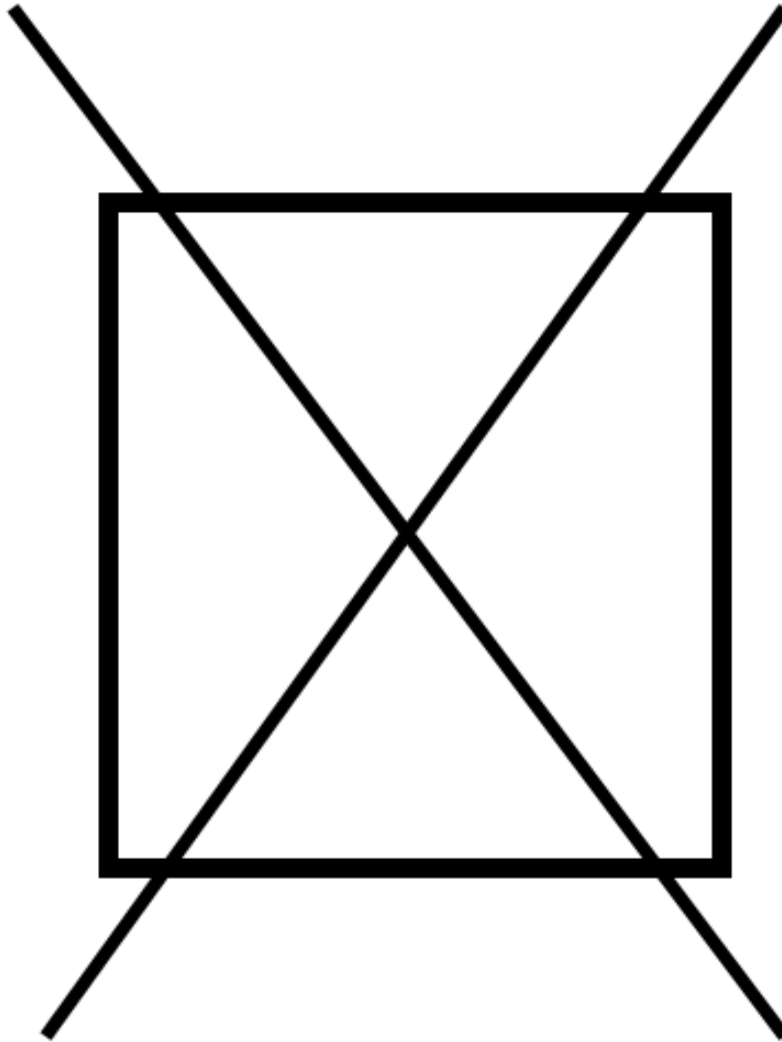


# **DDRB304JMAGRSERIES**

10916507 POWER CORD .....	1
CONTROL AREA .....	2
DELI DRAWER .....	3
DOOR SKIN AREA .....	4
EVAPORATOR AREA .....	5
LOWER UNIT AREA .....	6
MC COVER AND UPPER GRILLE AREA .....	7
MEAT SAVER DRAWER .....	8
PE070785 HIGH VOLT HARNESS .....	9
PE070877 MACHINE HARNESS .....	10
PE970461 FAN RESISTOR JUMPER .....	11
PE970464 LOW VOLT HARNESS .....	12
PE970609 CONTROL BOARD HARNESS .....	13
PRODUCE AREA .....	14
REFRIGERANT SYSTEM .....	15
REFRIGERATOR COMPARTMENT .....	16
REFRIGERATOR DOOR FOAM AREA .....	17
REFRIGERATOR SHELVING .....	18
UNIT EXTERIOR .....	19
UPPER UNIT AREA .....	20
Appendix A:Pages Index .....	A
Appendix B:Parts Index .....	B



NON  
ILLUSTRATED PART



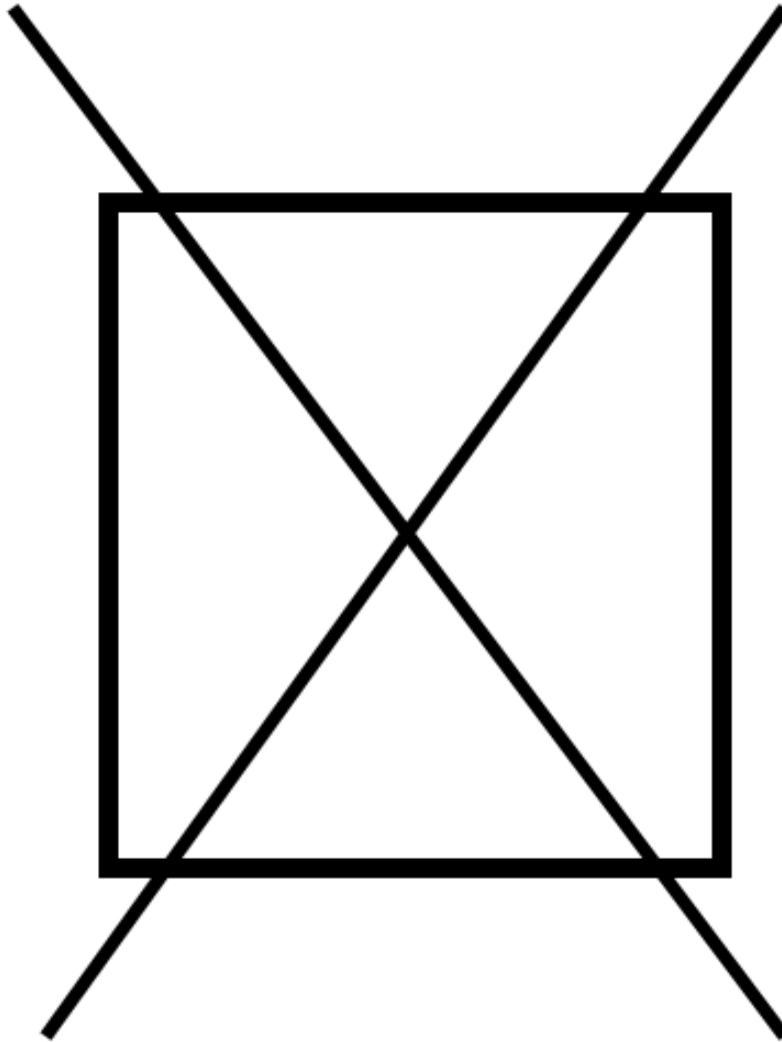




Item	Part No.	Name	Qty	Uom	NOTES
1	10916507	CORD-POWER 5 SERIES	1	EA	

CONTROL AREA

NON  
ILLUSTRATED PART





Item	Part No.	Name	Qty	Uom	NOTES
1	PE950183	SWITCH OVERLAY AR 30	1	EA	
2	PE950122	SWITCH	1	EA	
3	PK030457	PANEL CONTROL AR 30 L	1	EA	
NI	PK030456	PANEL CONTROL AR 30 R	1	EA	
4	12064001	SUPP-CONT PANEL	1	EA	
5	PC040010	POP RIVET (.063/GR -.125) GAMD42-A	1	EA	
6	M0224128	SCREW-SM	1	EA	
7	PD020194	SCR, HEX SRTD WSHR HD, #8- 18 X 1/2	1	EA	
8	K20910061	CONTROL BOX FRONT	1	EA	
9	PE950149	SWITCH POWER	1	EA	
10	K2098654	Bracket, Power Switch	1	EA	
11	M0238846	SCREW-SHLDR	1	EA	
12	PE070728	BOARD LOW VOLTAGE	1	EA	

Comments for Part Num. PE070728

bradleysapplianceservice@shaw.ca on Apr 27, 2016

COULD ALSO USE: 002670-000 LOW VOLTAGE BOARD KIT ANALOG - INCLUDES WIRE HARNESS

13	PD020013	TYPE "AB" #6 X 3/8 PH PAN HD. SMS	1	EA	
14	M0585506	SUPPORT	1	EA	
15	M0104106	CLIP-CORD VM0104106	1	EA	
16	K2099402	CONTROL BOX	1	EA	
17	A4554817	BUSHING-SNAP VA4554817	1	EA	
18	PM910325	FILM, PROTECTIVE	1	EA	
19	M0585504	SUPPORT	1	EA	
20	005319-000	POWER CONTROL BOARD ASM 5 SERIES	1	EA	

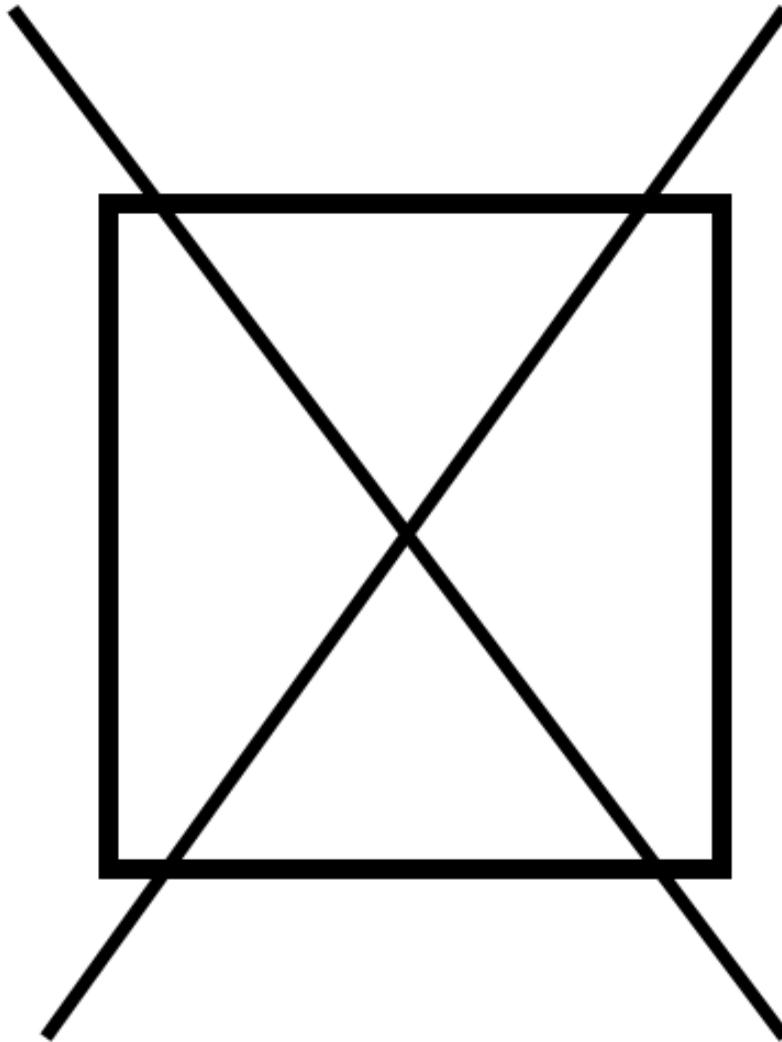
Comments for Part Num. 005319-000

boltz on Apr 12, 2018

See TR-0056-SP Bulletin

21	K20915000	CONTROL BOX TOP	1	EA	
22	M0288120	NUT-SPEED VM0288120	1	EA	

NON  
ILLUSTRATED PART

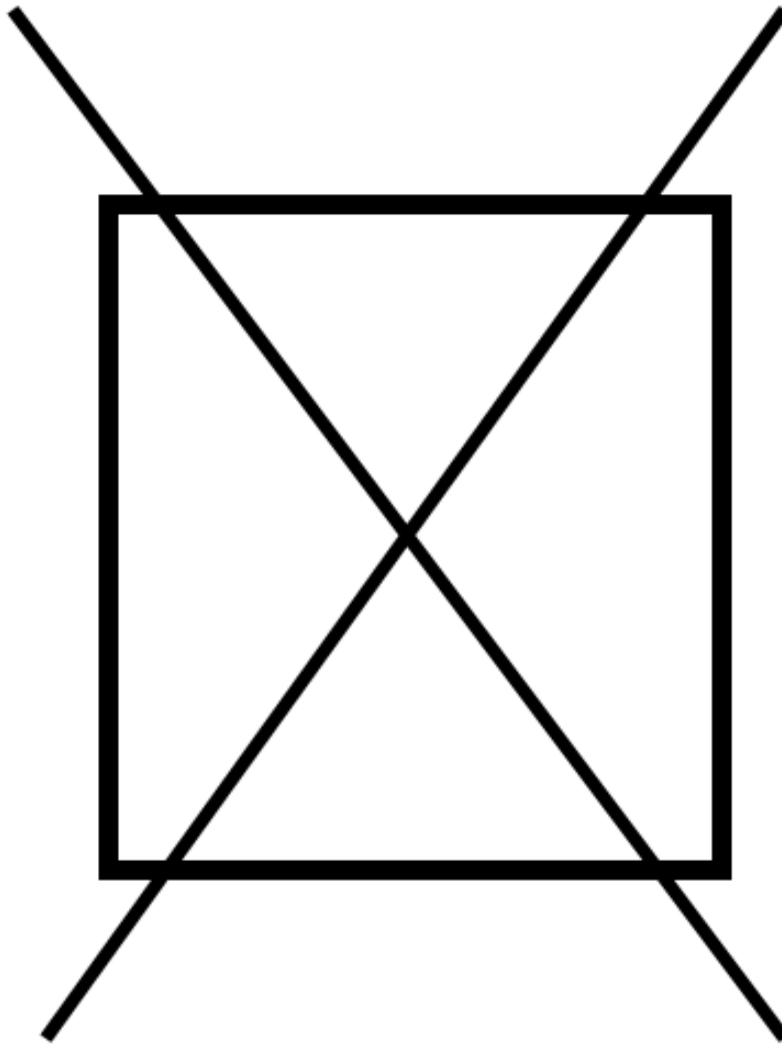




Item	Part No.	Name	Qty	Uom	NOTES
23	K20910060	BRACKET - PC	1	EA	
24	A3030361	GASKET RED	1	EA	

DELI DRAWER

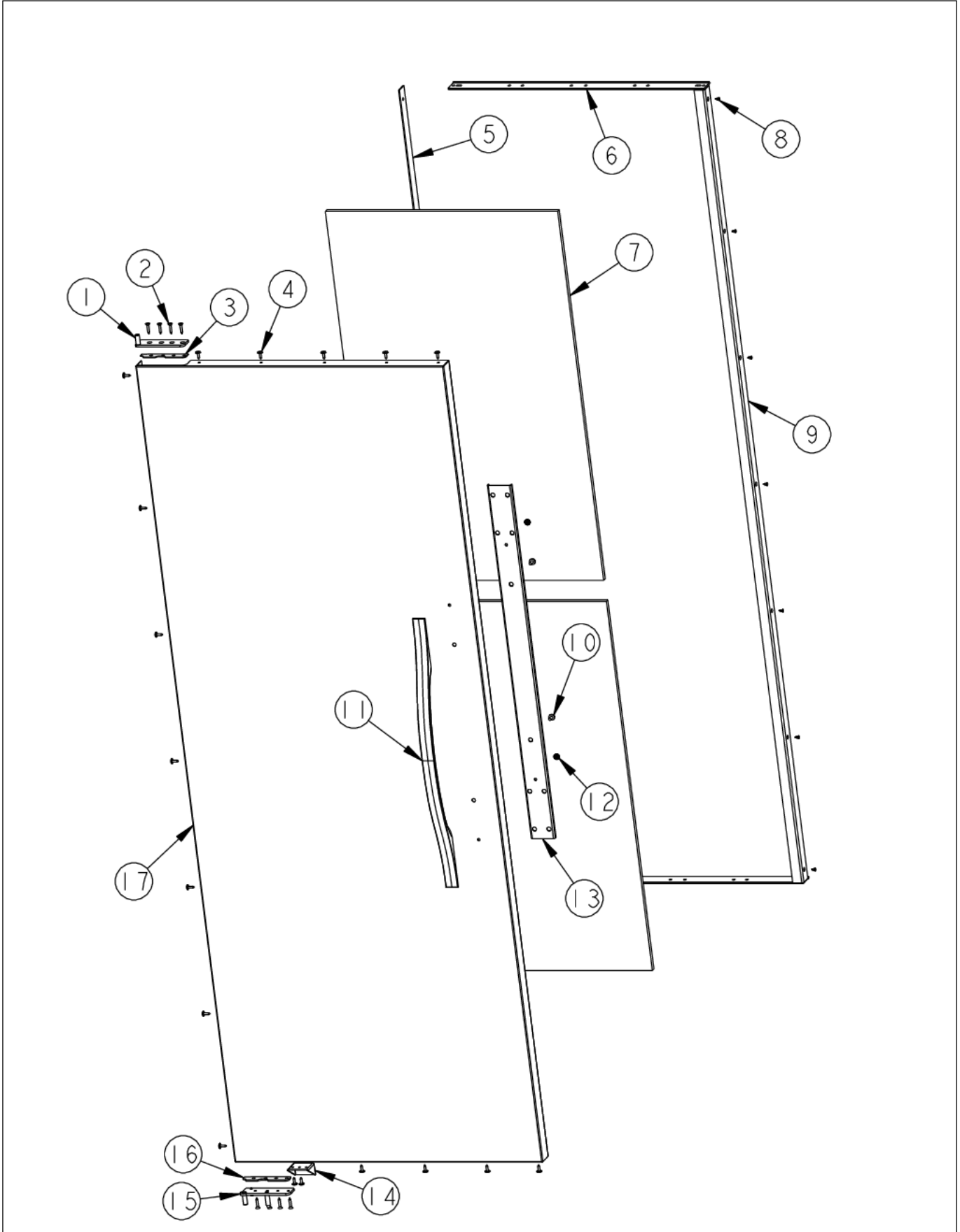
NON  
ILLUSTRATED PART





Item	Part No.	Name	Qty	Uom	NOTES
1	PM910342	RAIL DRAWER L	1	EA	
2	044219-000	SUPPORT SLIDER L	1	EA	
3	043624-000	SHELF ASM GLASS 30 AR 48 FF	1	EA	
4	PD920161	SCR 8-16 PLASTITE PNP 3/8 S	1	EA	
5	PK030439	GLIDE CENTER SUPPORT	1	EA	
6	046255-000	SLIDE, DWR, SOFT CLOSE, LH	2	EA	
7	PD020032	SRW-8(A)X3/8"PH.WFR HD 7/16DIA*NICL	1	EA	
8	044214-000	SUPPORT SLIDER R	1	EA	
9	PM910343	RAIL DRAWER R	1	EA	
10	PK930305	DRAWER DELI AR 30 SXS 48	2	EA	
11	046235-000	SLIDE, DWR, SOFT CLOSE-RH	2	EA	

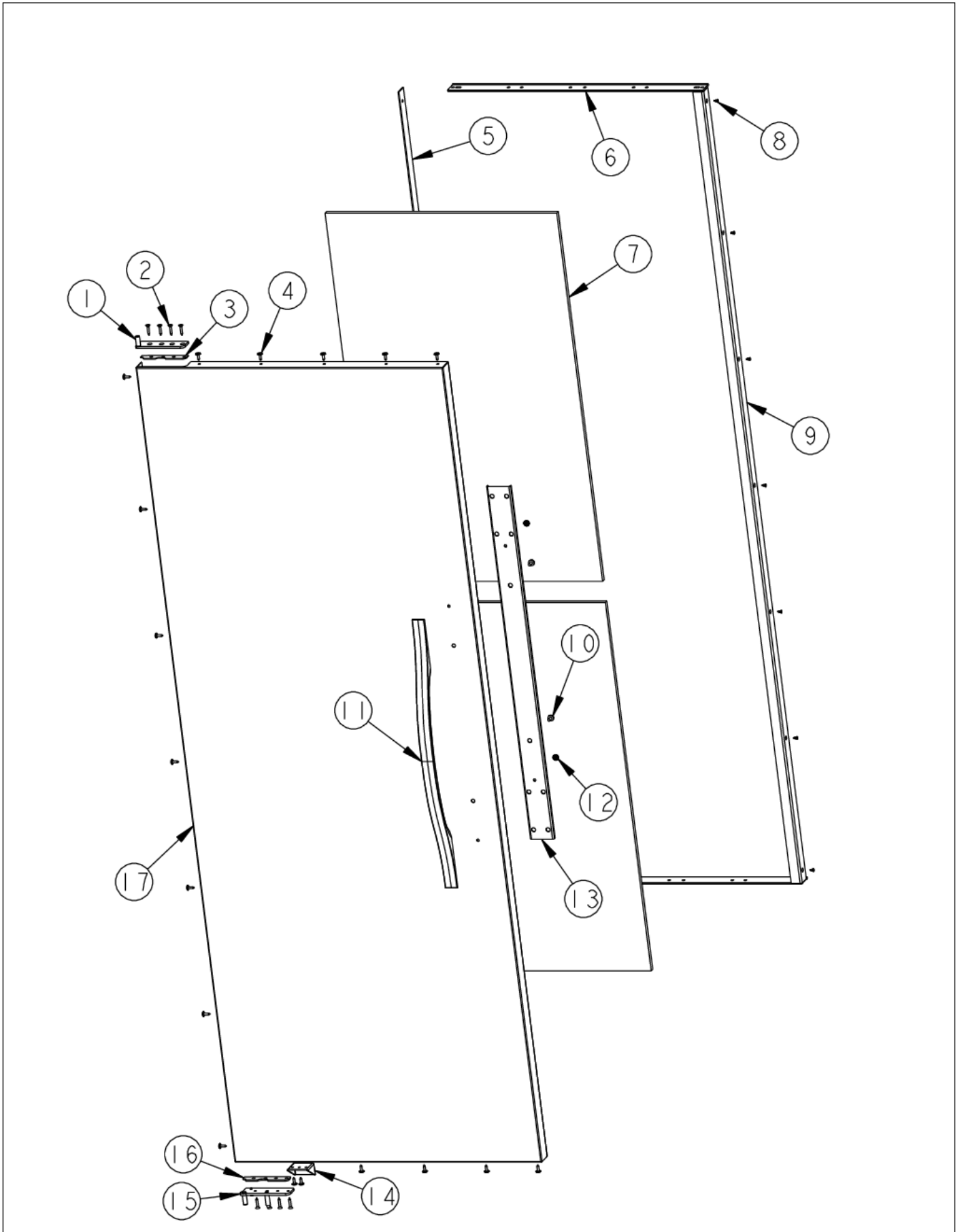
DOOR SKIN AREA





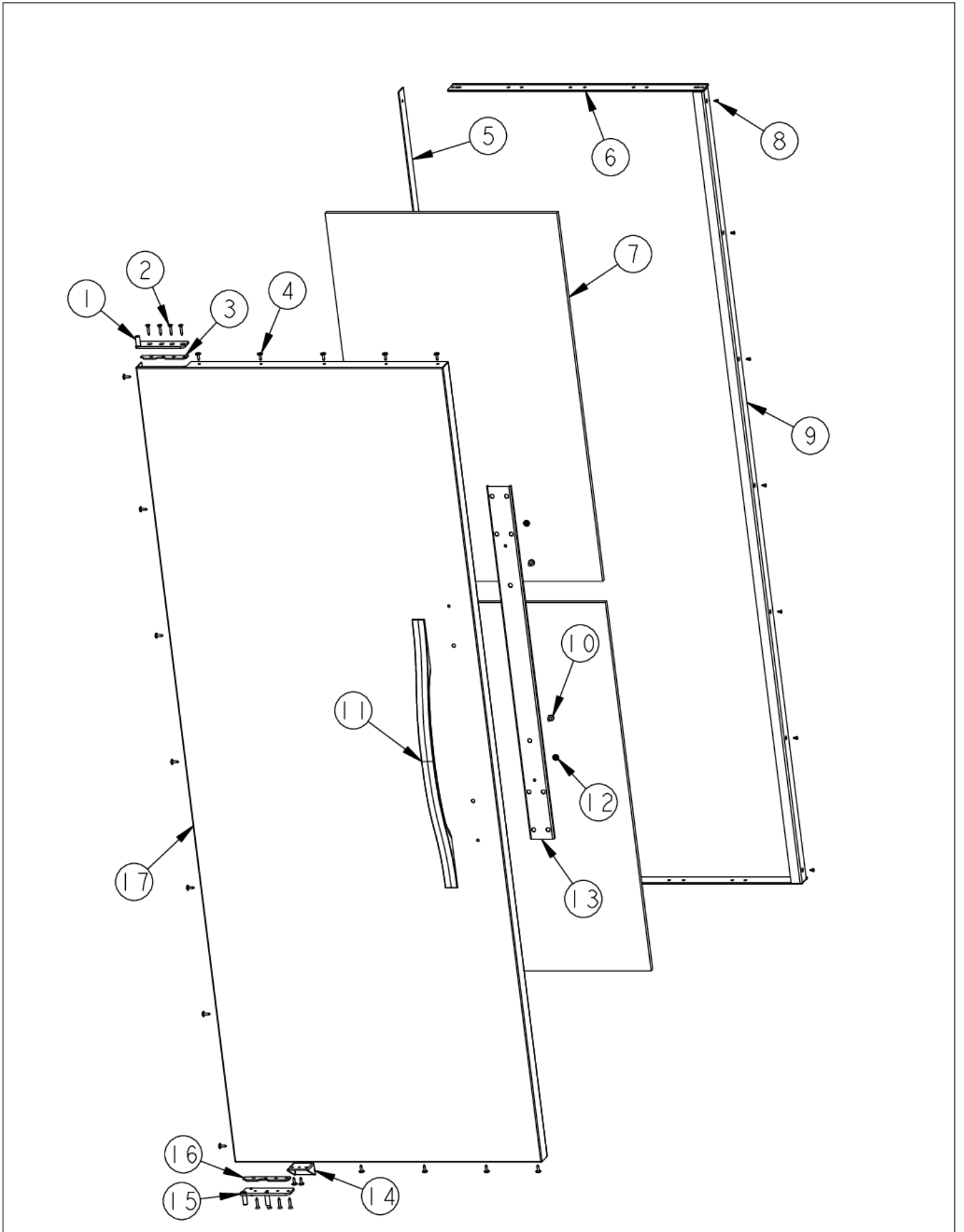


Item	Part No.	Name	Qty	Uom	NOTES
1	PC020279	PIVOT PL ASM LH UP PRO/DES	1	EA	
NI	PC020278	PIVOT PL ASM RH UP PRO/DES	1	EA	
2	PD920174	10X7/8 PHILLIPS SMA TRI LOBE SA	1	EA	
3	PD040162	SPACER-DOOR HINGE	1	EA	
4	M0210458	SUB TO VM0210458	1	EA	
5	014581-000	SPACER,TRIM,SXS,AF,AR	1	EA	
Not Shown	NOTE	(LH MODELS)		EA	
NI	PK930006	SPACER - SS DES	1	EA	
Not Shown	NOTE	(RH MODELS)		EA	
6	056843-000	TRIM, TOP/BTM, 30	1	EA	
7	PM910068	FOAM, DOOR SKIN (SXS)	1	EA	
8	M0215704	SCREW-SM	1	EA	
9	PK930006	SPACER - SS DES	1	EA	
Not Shown	NOTE	(RH MODELS)		EA	
NI	014581-000	SPACER,TRIM,SXS,AF,AR	1	EA	
Not Shown	NOTE	(LH MODELS)		EA	
10	M0204303	SCREW-MACH	1	EA	
11	PE030166	Handle, Freezer Door - SS	1	EA	
11	PE030166PVD	Handle, Freezer Door - BR	1	EA	Not available online / Call for pricing and availability
12	PD030152	CAPPED WASHER PAL NUT	1	EA	Not available online / Call for pricing and availability
13	K2097526	Bracket, Handle Support (Frz.)	1	EA	
14	PD050019	STRIKER DOOR SWITCH	1	EA	
15	016182-000	PIVOT PL ASM LH LW PRO/DES	1	EA	
NI	016181-000	PIVOT PL ASM RH LW PRO/DES	1	EA	
16	001617-000	SPACER,NYL,PIVOT PLATE	1	EA	





Item	Part No.	Name	Qty	Uom	NOTES
17	B20915907	DOOR SKIN AF AR 30 DES L	1	EA	Not available online / Call for pricing and availability
17	C90915907BK	DOOR SKIN AF AR 30 DES L	1	EA	NO LONGER AVAILABLE, Not available online / Call for pricing and availability
17	C90915907BT	DOOR SKIN AF AR 30 DES L	1	EA	NO LONGER AVAILABLE, Not available online / Call for pricing and availability
17	C90915907GG	DOOR SKIN AF AR 30 DES L	1	EA	NO LONGER AVAILABLE, Not available online / Call for pricing and availability
17	C90915907SG	DOOR SKIN AF AR 30 DES L	1	EA	NO LONGER AVAILABLE, Not available online / Call for pricing and availability
17	C90915907WH	DOOR SKIN AF AR 30 DES L	1	EA	NO LONGER AVAILABLE, Not available online / Call for pricing and availability
17	B20915908	DOOR SKIN AF AR 30 DES R	1	EA	NO LONGER AVAILABLE
17	C90915908BK	DOOR SKIN AF AR 30 DES R	1	EA	NO LONGER AVAILABLE, Not available online / Call for pricing and availability
17	C90915908BT	DOOR SKIN AF AR 30 DES R	1	EA	NO LONGER AVAILABLE, Not available online / Call for pricing and availability
17	C90915908GG	DOOR SKIN AF AR 30 DES R	1	EA	NO LONGER AVAILABLE, Not available online / Call for pricing and availability
17	C90915908SG	DOOR SKIN AF AR 30 DES R	1	EA	NO LONGER AVAILABLE, Not available online / Call for pricing and availability

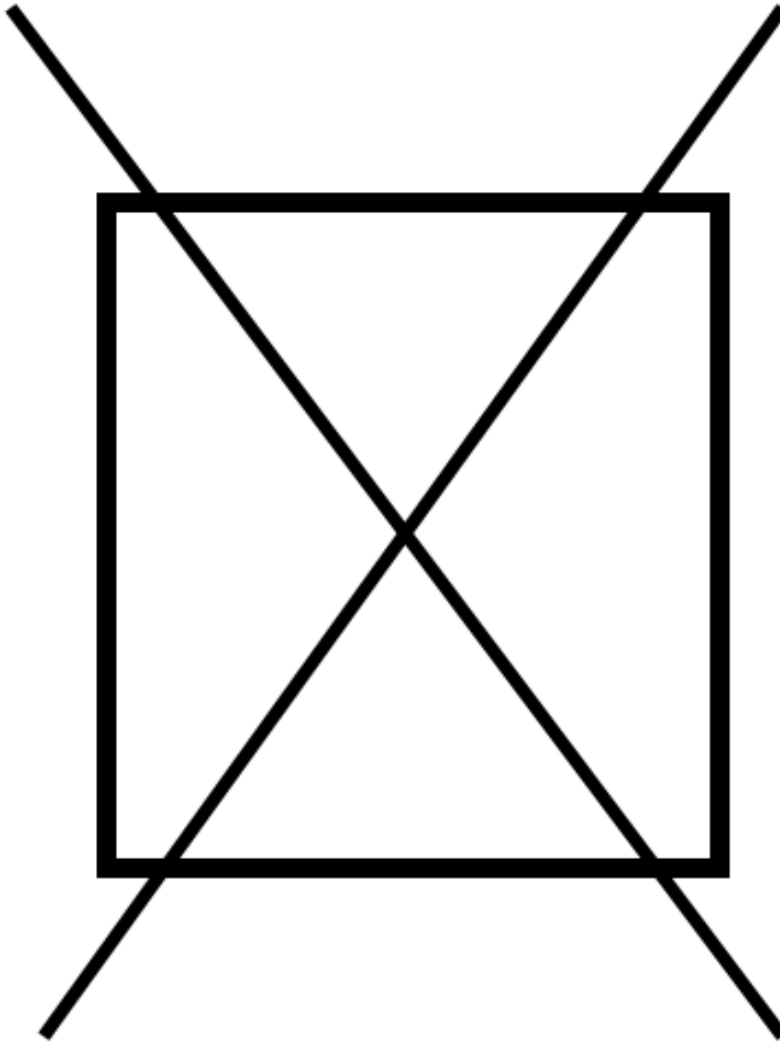




Item	Part No.	Name	Qty	Uom	NOTES
17	C90915908WH	DOOR SKIN AF AR 30 DES R	1	EA	NO LONGER AVAILABLE, Not available online / Call for pricing and availability

EVAPORATOR AREA

NON  
ILLUSTRATED PART





Item	Part No.	Name	Qty	Uom	NOTES
1	F20913719	TUBE EVAP AR 30	1	EA	
2	PD020238	SCR WH HEX WSHR HD SLTD #8-18 X 1/2	1	EA	
3	G50914134	ASM FAN MOUNTING AR 30	1	EA	
4	F20911126	TUBE SUCTION AR 30	1	EA	
5	PB070288	1/4" X 1/2" CLOSED CELL SPONGE	1	EA	
6	065658-000	EVAPORATOR, AR, 30, ADAPTER	1	EA	
7	K20914102	K20914102	1	EA	
8	PD040150	WASHER FLAT NYLON #10	1	EA	
9	PB070288	1/4" X 1/2" CLOSED CELL SPONGE	1	EA	
10	G50914188	DRAIN PAN ASM UPPER AR30	1	EA	
11	PK030446	DRAIN VERTICAL AR 30 36	1	EA	
12	M0104106	CLIP-CORD VM0104106	1	EA	
13	L20913709WH	DIVIDER AIR AR 30	1	EA	
14	049987-000	MS HEAT EXCH ASM AR 36 30	1	EA	

Comments for Part Num. 049987-000

bradleysapplianceservice@shaw.ca on Sep 22, 2017

SUBS TO: 049987-000 HEAT EXCHANGER AR 30" / 36"

crystal@knservice.com on Sep 22, 2017

This new aluminum h/e melts where it meets the copper tip when welding during a repair. Any recommendations to prevent this?

Reply by corcoran1@cox.net on Dec 21, 2017

Try heat sink and wrap it in wet towel, use oxy-acetylene torch as opposed to map gas

Reply by bradleysapplianceservice@shaw.ca on Jun 5, 2018

Yes, we have used heat paste but wet rags torn into thin strips works just as good and readily available.

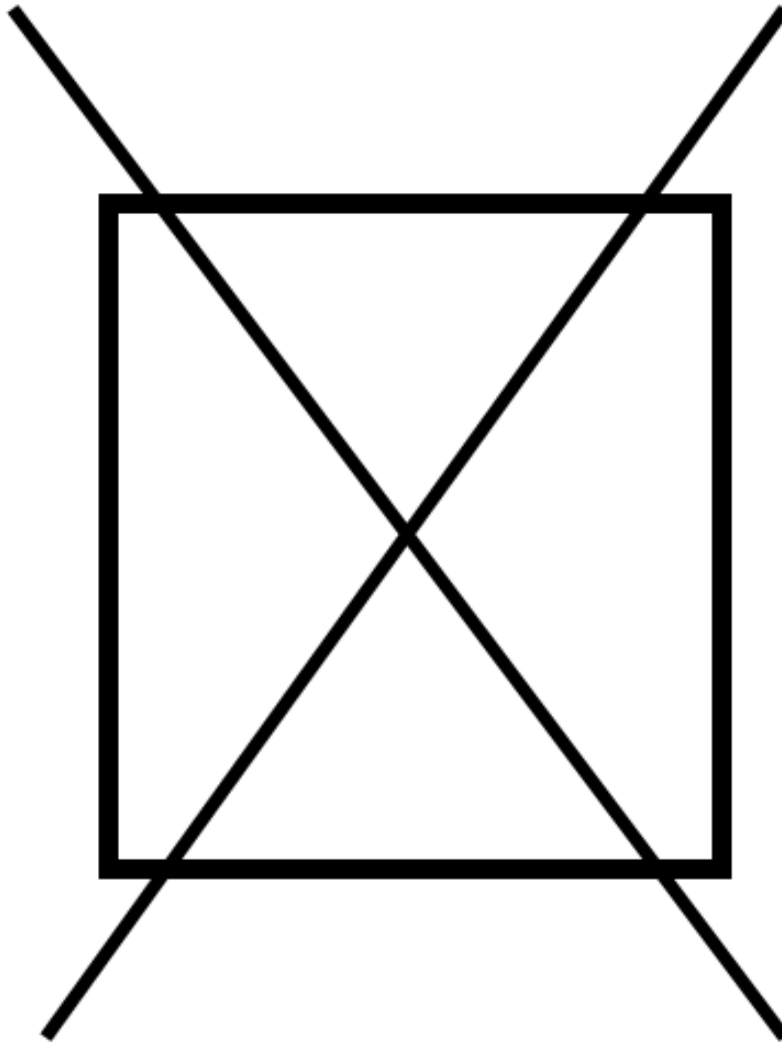
Reply by tim@tnrappliance.com on Dec 20, 2018

this new aluminum is crap can barely heat it and the copper tip comes off. i now get to redo the job when i get another heat exchanger. has anyone used an epoxy to set the tubes.

bradleysapplianceservice@shaw.ca on Jun 5, 2018

Use caution when brazing, must use heat sink to avoid melting the aluminum. Use heat paste or wet rags. Also be sure check ports before installing. We have had a plugged port from factory when they installed the copper ends they closed off the port internally. Can't be seen easily so use nitrogen to blow through ports to be sure they are not plugged. It would have been nice to see at least 3 more inches of copper on the ends. It's easier to cut the above tubing to size than deal with these stubby copper ports.

NON  
ILLUSTRATED PART

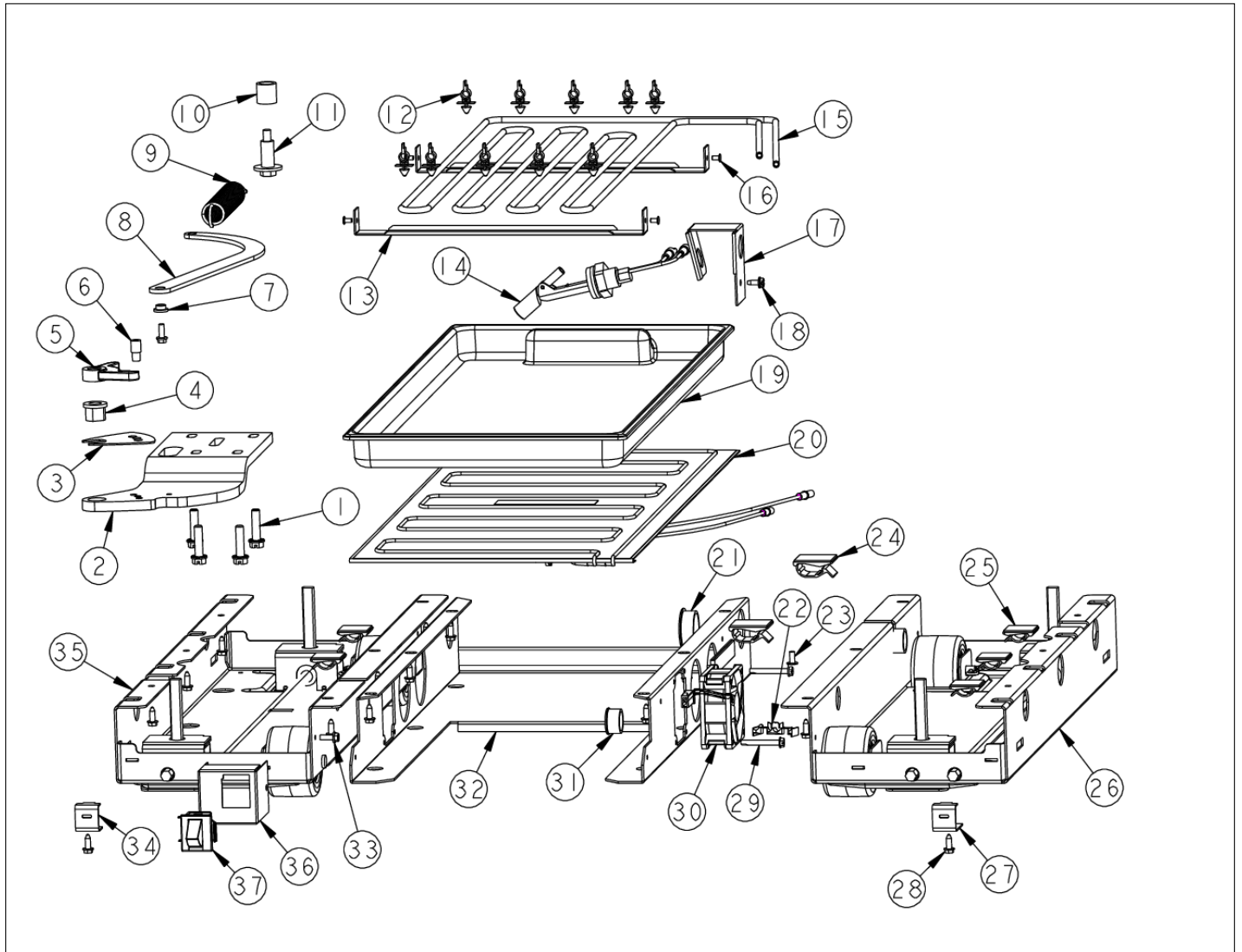






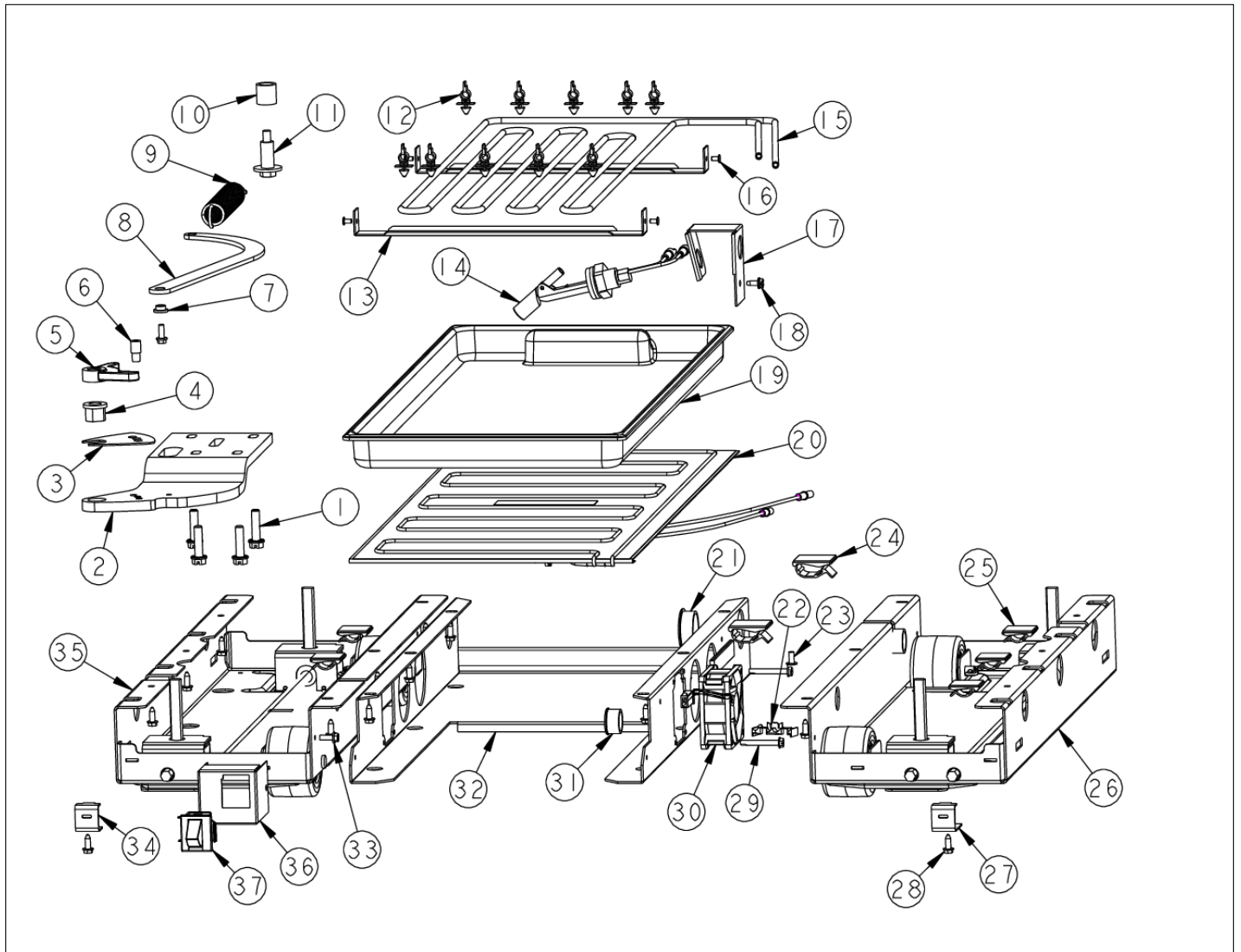
Item	Part No.	Name	Qty	Uom	NOTES
15	PD020194	SCR, HEX SRTD WSHR HD, #8-18 X 1/2	1	EA	
16	K20912393	PLATE BAFFLE VERTICAL AR 30	1	EA	Not available online / Call for pricing and availability
17	PD020032	SRW-8(A)X3/8"PH.WFR HD 7/16DIA*NICL	1	EA	
18	PK030445	PAN DRAIN LOWER EVAP AR 30 36	1	EA	
19	K20912394	PLATE BAFFLE VERTICAL SMALL AR 30	1	EA	
20	A3030361	GASKET RED	1	EA	
21	12115101	CLAMP-TUBE V12115101	1	EA	
22	PB920246	TUBE CAPILLARY ASM AR 36 30	1	EA	

## LOWER UNIT AREA





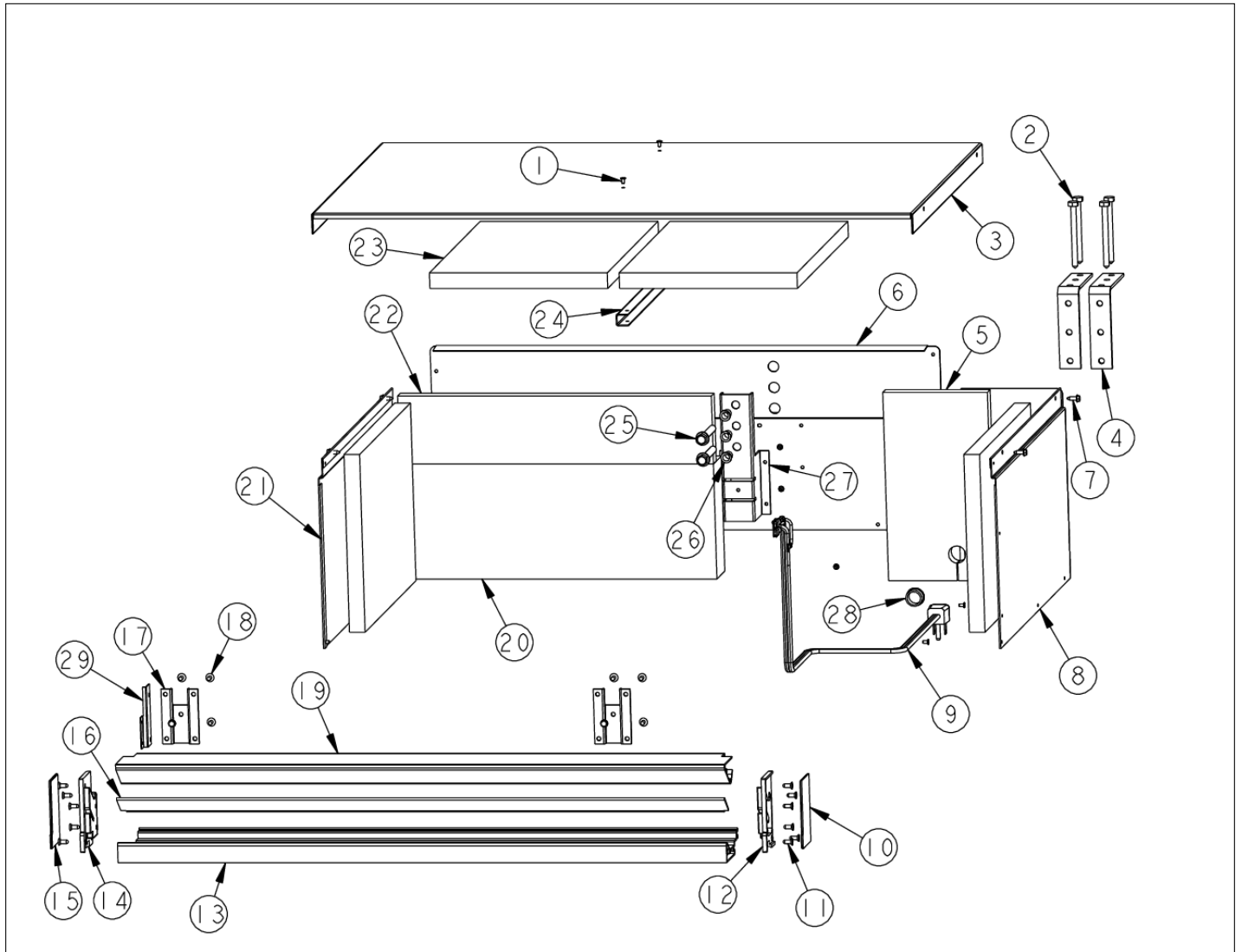
Item	Part No.	Name	Qty	Uom	NOTES
1	000570-000	FASTENER, BOLT, 1/4-20 IHXWS 1" S ZN SER	1	EA	
2	PC020289	HINGE PLATE LL	1	EA	
NI	PC020288	HINGE PLATE LR	1	EA	
3	PC920144	PLATE - WC DOOR SHIM	1	EA	
4	PD940090	BUSHING - WC DOOR LEVEL	1	EA	
5	PD940091	BUSHING - DOOR STOP	1	EA	
6	PC920145	PIN - DOOR STOP	1	EA	
7	PD940094	BUSHING	1	EA	
8	PC920149	BAR-WC BOT HINGE LH	1	EA	
NI	PC920166	HINGE ASM COMPLETE RR	1	EA	
9	PC910015	SPRING EXTENSION	1	EA	
10	PD940107	ROUND SPRING SPACER	1	EA	
11	M0221523	SCREW - SHLDR	1	EA	
12	PD030146	STAND OFF LOCK CLIP	1	EA	
13	K20911832	BRACKET CONDENSATE SUPPORT	1	EA	
14	PE050248	FLOAT SWITCH HORIZONTAL	1	EA	
15	F2099927	SERPENTINE AF AR 30	1	EA	
16	PC040010	POP RIVET (.063/GR -.125) GAMD42-A	1	EA	
17	B20915627	BRACKET HORIZ FLOAT SWITCH	1	EA	
18	M0253916	SCR 8-32 SHXW 3/8 TRI-LOBE	1	EA	
19	PK930347	PAN-DRAIN AF AR 30	1	EA	
20	G50915603	PAN HEATER ASM AF/AR 30	1	EA	
21	A4554817	BUSHING-SNAP VA4554817	1	EA	
22	M0327801	TAP-ELECTRO	1	EA	
23	PD020010	10 X 3/8 GREEN GROUNDING SCREW	1	EA	
24	M0104102	CLIP-CORD RED	1	EA	
25	M0104106	CLIP-CORD VM0104106	1	EA	
26	060890-000	LEVELER MODULE R	1	EA	
27	K2098044	BRKT GRILLE SUPPORT	1	EA	
28	PD020194	SCR, HEX SRTD WSHR HD, #8- 18 X 1/2	1	EA	





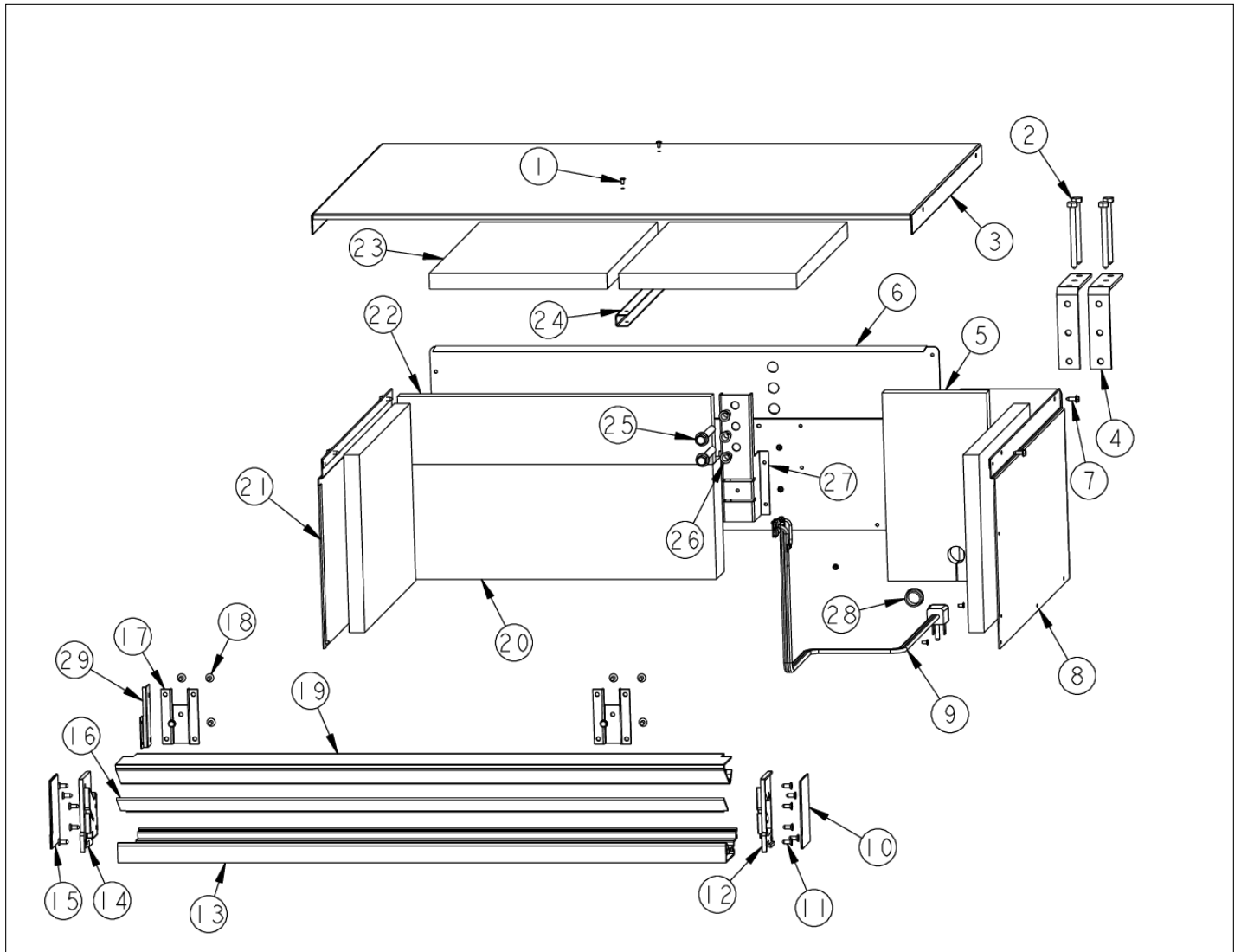
Item	Part No.	Name	Qty	Uom	NOTES
29	PD020274	SCR SLTD HEX WSHR HD 8X1.250 BT	1	EA	
30	004551-000	AXIAL FAN	1	EA	
<p>Comments for Part Num. 004551-000</p> <p>gboltz@VikingRange.com on Jul 21, 2016</p> <p>View service bulletin TR-0052-SP before ordering fan, if applicable order kit instead of fan</p>					
31	A4554806	BUSHING-SNAP VA4554806	1	EA	
32	K20915953	SHIELD BOTTOM DRAIN	1	EA	
33	M0220417	SCREW-TC	1	EA	
34	K2098096	BRKT GRILLE SUPPORT	1	EA	
35	060891-000	LEVELER MODULE L	1	EA	
36	002668-000	SWITCH,GRILLE,MT,LH	1	EA	
NI	002667-000	SWITCH,GRILLE,MT,RH	1	EA	
37	PE950147	SWITCH SPST NC BLACK	1	EA	
<p>Comments for Part Num. PE950147</p> <p>bradleysapplianceservice@shaw.ca on May 1, 2017</p> <p>CAUTION WHEN ORDERING DOOR SWITCH. PARTS LISTINGS COULD BE INCORRECT.</p> <p>THERE IS TWO VERSIONS OF THIS DOOR SWITCH THAT NEEDS TO BE VISUALLY CHECKED ON UNIT TO DETERMINE CORRECT PART.</p> <p>PE950146 DOOR SWITCH 3 WIRE SPDT BLACK</p> <p>PE950147 DOOR SWITCH 2 WIRE SPST BLACK</p>					

MC COVER AND UPPER GRILLE AREA





Item	Part No.	Name	Qty	Uom	NOTES
1	PC040010	POP RIVET (.063/GR -.125) GAMD42-A	1	EA	
2	M0223509	SCREW-LAG	1	EA	
3	M2099930	MC TOP	1	EA	Not available online / Call for pricing and availability
4	PK910089	BRACKET, ANTI - TIP	1	EA	
5	PB970171	MC INSULATION - BACK SIDE	1	EA	Not available online / Call for pricing and availability
6	K2099932	MC BACK 30	1	EA	
7	PD020194	SCR, HEX SRTD WSHR HD, #8- 18 X 1/2	1	EA	
8	K2099459	MC SIDE (RIGHT)	1	EA	
9	10916507	CORD-POWER 5 SERIES	1	EA	
10	PM910072	COVER - END CAP	1	EA	
11	M0215318	SCREW-SM	1	EA	
12	PM910348	ENP CAP GRILLE R	1	EA	
13	PM910408	GRILLE LOUVER LOWER AF AR 30 L DES FOL	1	EA	NO LONGER AVAILABLE
NI	PM910420	GRILLE LOUVER LOWER AF AR 30 R DES FOL	1	EA	NO LONGER AVAILABLE
14	PM910349	END CAP GRILLE L	1	EA	
15	PM910071	COVER - END CAP 12119801	1	EA	
16	PM910407	GRILLE LOUVER MID AF AR 30 DES FOL	1	EA	
17	PK050004	BRACKET GRILLE 5 SERIES	1	EA	
18	M0224128	SCREW-SM	1	EA	
19	PM910406	GRILLE LOUVER UPPER AF AR 30 DES FOL	1	EA	
20	PB070357	INSULATION MC COVER	1	EA	
21	K2099460	MC SIDE L	1	EA	
22	PB070356	INSULATION MC COVER	1	EA	
23	PB070355	INSULATION MC COVER	1	EA	
24	K2099455	SUPPORT MC Z	1	EA	
25	PD020233	SCR LAG 5/16-9 GX 5/16X7/16 WAF IHXW 3 S ZN	1	EA	



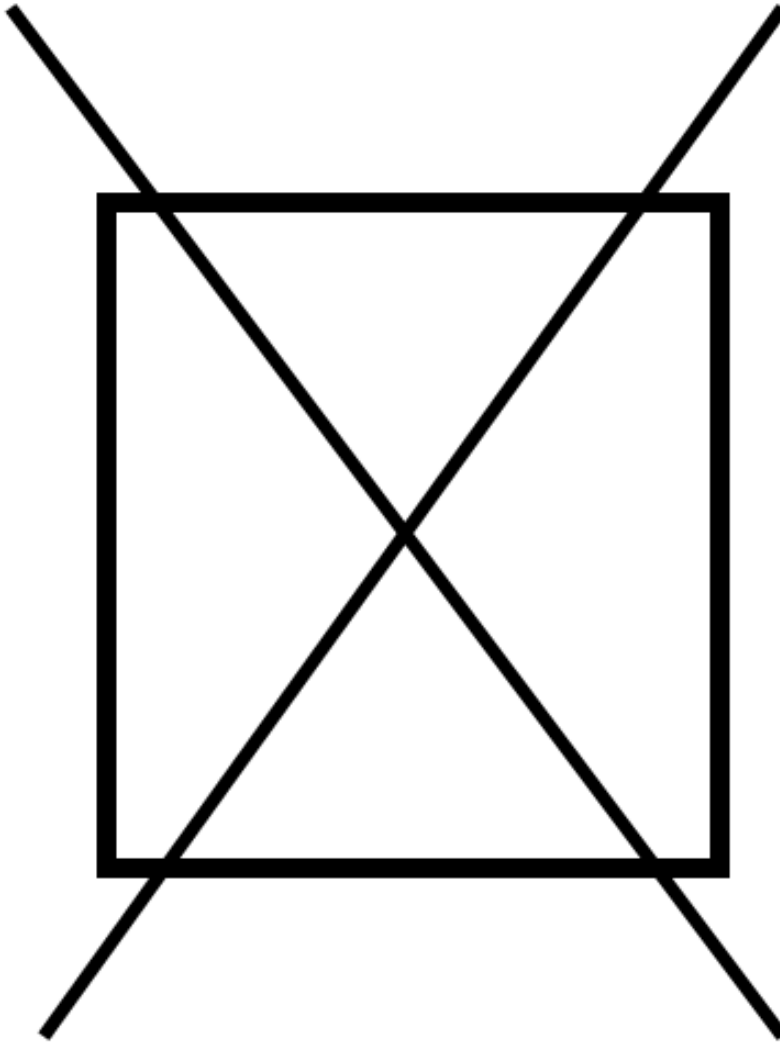




Item	Part No.	Name	Qty	Uom	NOTES
26	PD040157	BEARING SLEEVE	1	EA	
27	K20915675	BRACKET PSM	1	EA	
28	A4554806	BUSHING-SNAP VA4554806	1	EA	
29	K2099471	BRACKET GRILLE SUPPORT L	1	EA	
NI	K2099470	BRACKET GRILLE SUPPORT R	1	EA	

MEAT SAVER DRAWER

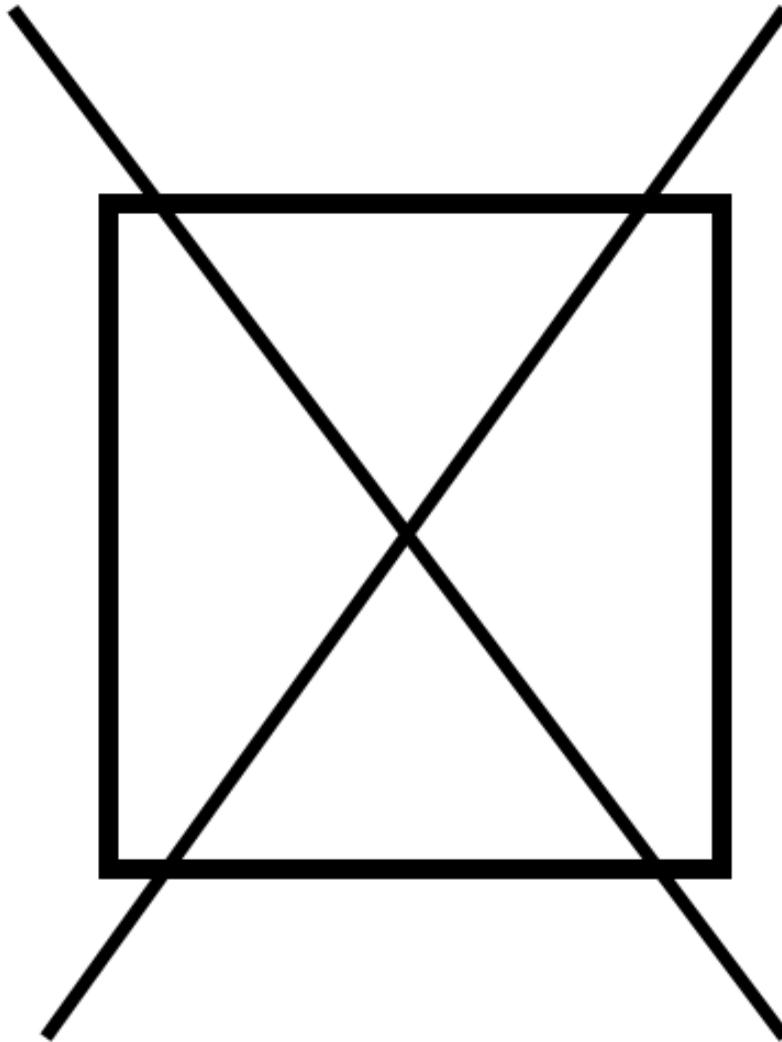
NON  
ILLUSTRATED PART





Item	Part No.	Name	Qty	Uom	NOTES
1	PK930307	DUCT MEAT SAVOR AR 30 SXS 48	1	EA	
2	004551-000	AXIAL FAN	1	EA	
<p>Comments for Part Num. 004551-000</p> <p>gboltz@VikingRange.com on Jul 21, 2016</p> <p>View service bulletin TR-0052-SP before ordering fan, if applicable order kit instead of fan</p>					
NI	020822-000	FAN RESISTOR KIT	1	EA	
Not Shown	NOTE	(BEFORE SERIAL# 110409R00010197)		EA	
3	PD020195	SCR 8-18 X 5/8	1	EA	
4	045692-000	DOOR MEATSAVOR ASM AR 30 SXS 48	1	EA	
5	PK930175	SUPPORT DRAWER MEAT SAVOR SXS 42/48 R	1	EA	
6	PK930283	DUCT MEATSAVOR SPACER	1	EA	
7	PK930172	COVER CONTROL MEAT SAVOR	1	EA	
8	PM910334	ROLLER TENSION	1	EA	
9	044384-000	DIAL CONTROL MEAT SAVOR	1	EA	
10	M0224128	SCREW-SM	1	EA	
11	044232-000	DUCT MEAT SAVOR (R)	1	EA	
12	PK930173	SUPPORT SLIDE MEAT SAVOR SXS 42/48 R	1	EA	
13	PM910287	SLIDE MEAT SAVOR R	1	EA	
14	PK930309	DRAWER MEAT SAVOR AR 30 SXS 48	1	EA	
15	PD920162	SCR 8-16 PLASTITE PNP 1/4 S	1	EA	
16	PM910288	SLIDE MEAT SAVOR L	1	EA	
<p>Comments for Part Num. PM910288</p> <p>profixappliances@gmail.com on May 3, 2017</p> <p>ITEM # 5 SHOULD BE PK930288-DOOR MEATSAVOR ASM AR/BM 36</p>					
17	PK930174	SUPPORT SLIDE MEAT SAVOR SXS 42/48 L	1	EA	
18	PK930176	SUPPORT DRAWER MEAT SAVOR 42/48 L	1	EA	
19	M0211021	SCREW-SM	1	EA	

# NON ILLUSTRATED PART

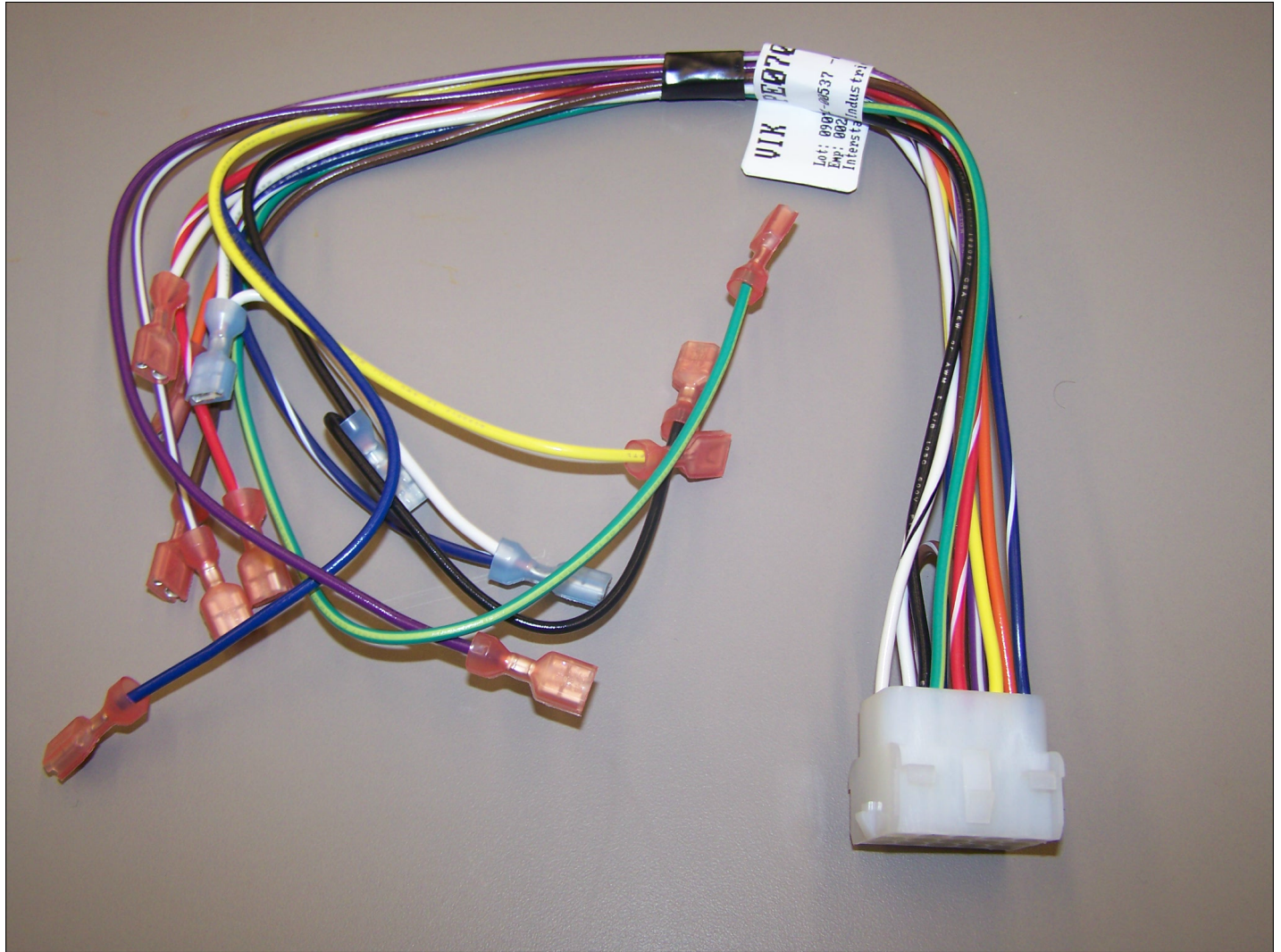




Item	Part No.	Name	Qty	Uom	NOTES
20	PK930284	DUCT MEATSAVOR LEFT	1	EA	
21	PK930308	SHELF MEAT SAVOR AR 30 SXS 48	1	EA	



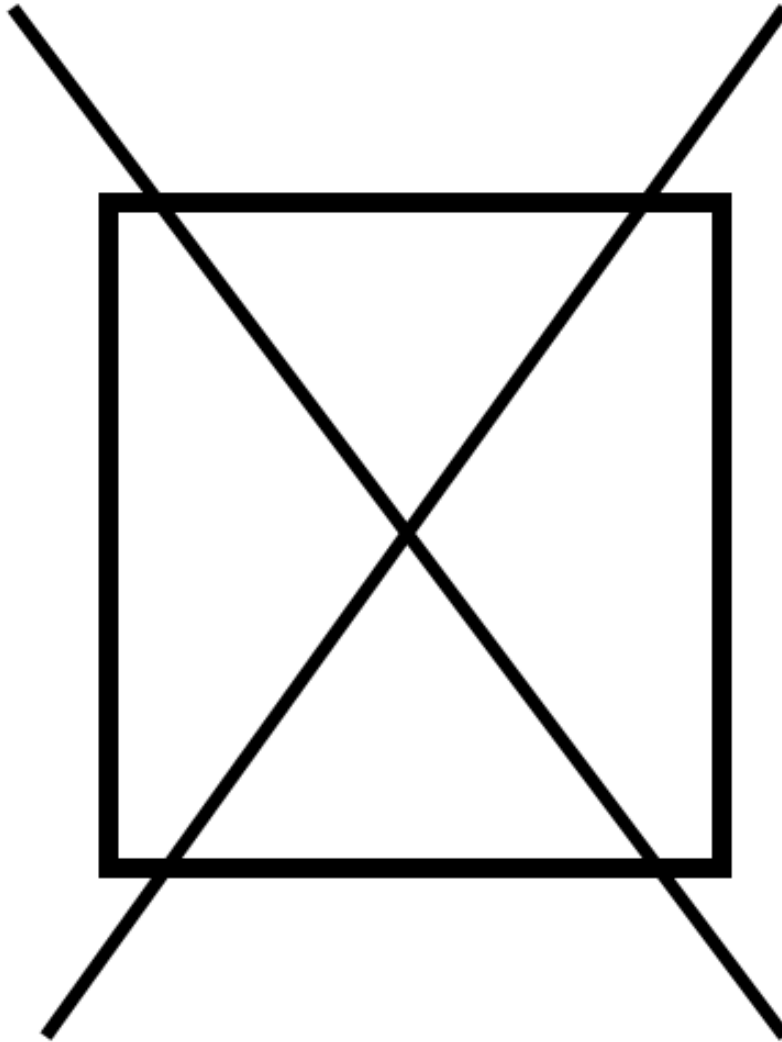
PE070785 HIGH VOLT HARNESS





Item	Part No.	Name	Qty	Uom	NOTES
1	PE070785	Harness, High Voltage Board	1	EA	

NON  
ILLUSTRATED PART

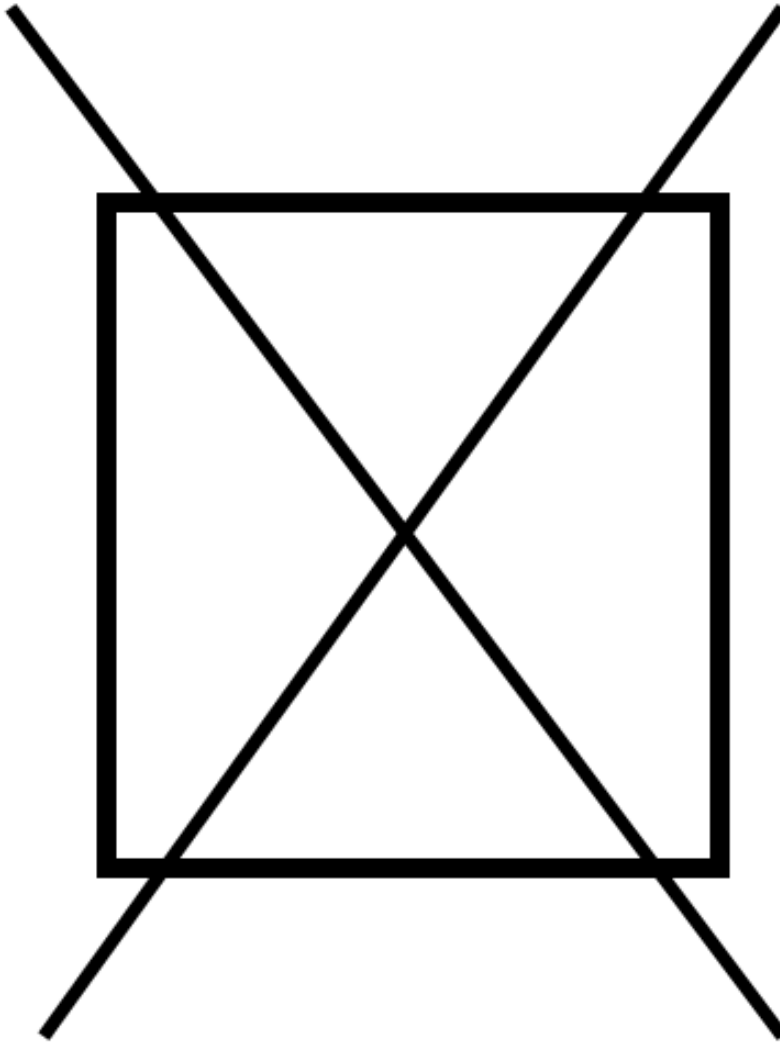






Item	Part No.	Name	Qty	Uom	NOTES
1	PE070877	HARNESS MACHINE COMP AR	1	EA	

NON  
ILLUSTRATED PART

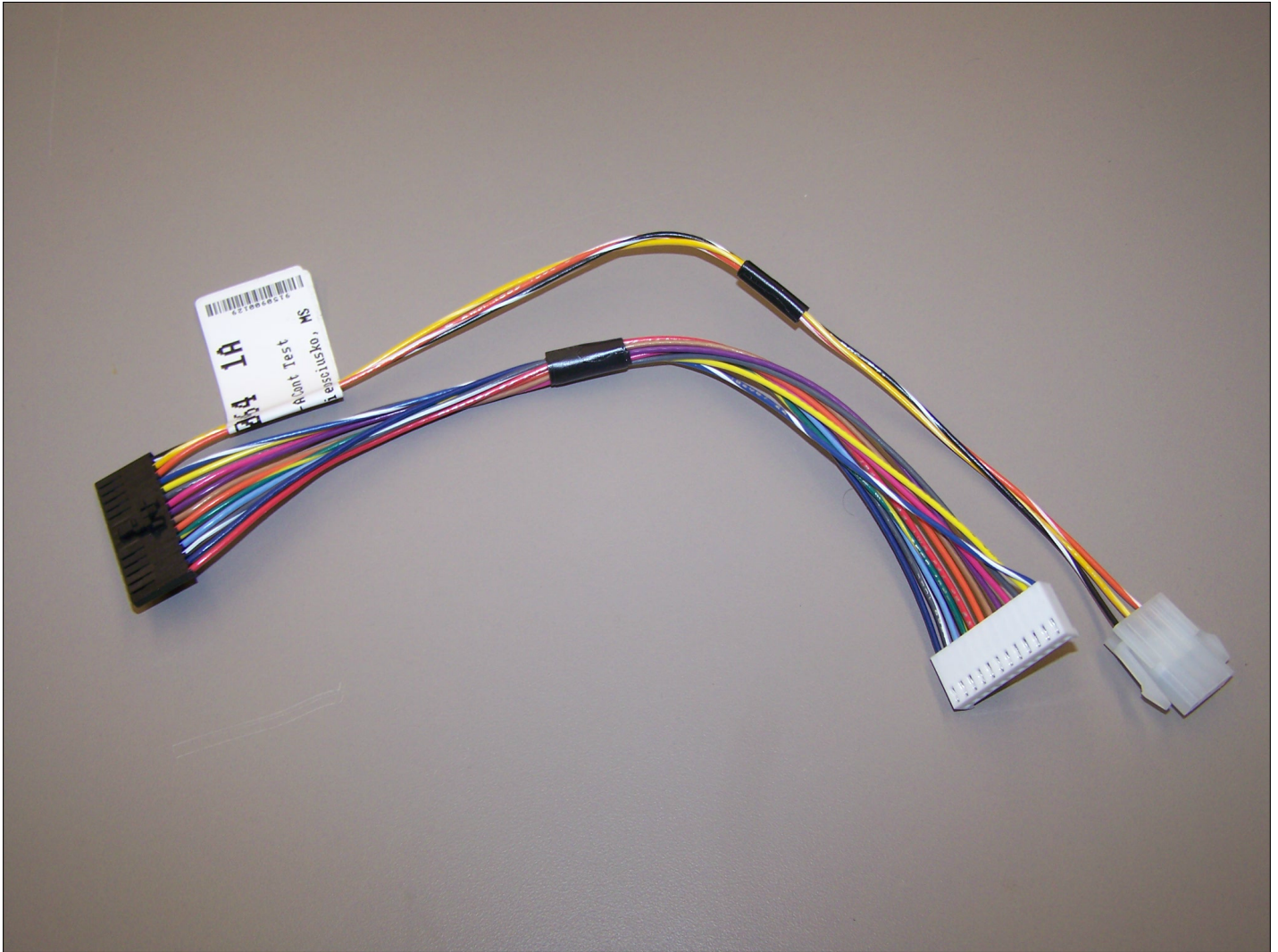




Item	Part No.	Name	Qty	Uom	NOTES
1	PE970641	JUMPER FAN RESISTOR	1	EA	



PE970464 LOW VOLT HARNESS

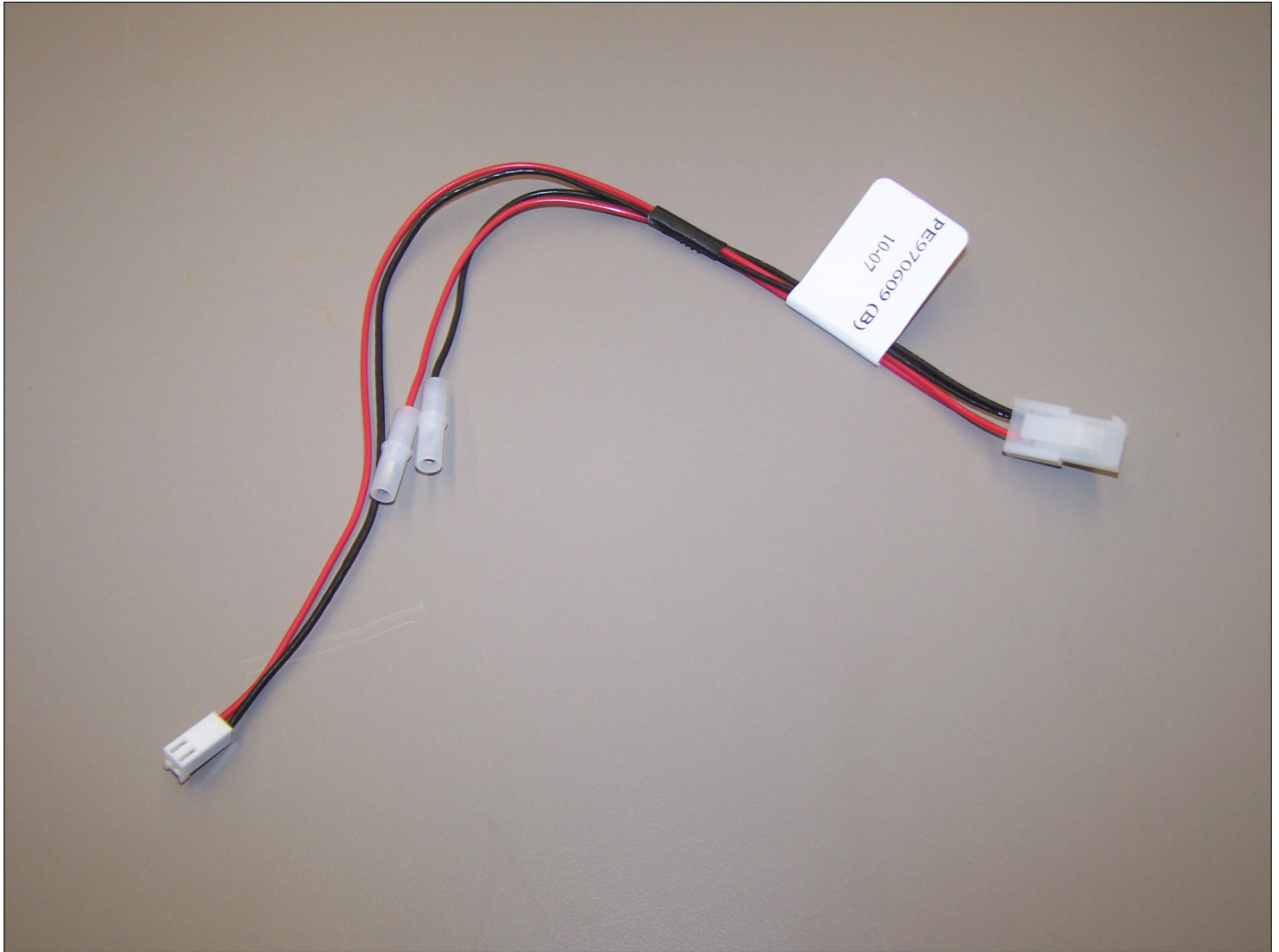




Item	Part No.	Name	Qty	Uom	NOTES
1	PE970464	HARNESS LOW VOLT 5 SERIES	1	EA	



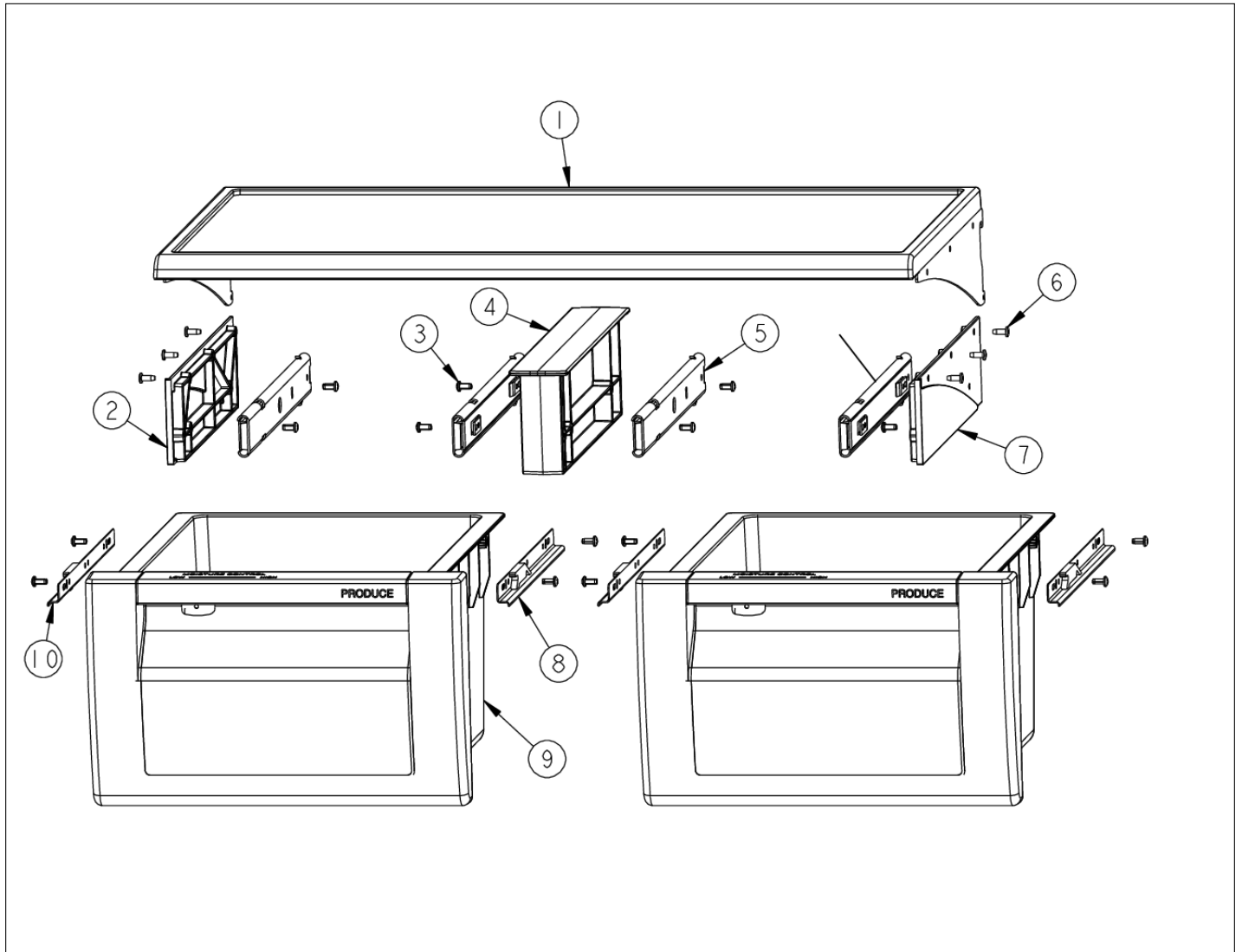
PE970609 CONTROL BOARD HARNESS





Item	Part No.	Name	Qty	Uom	NOTES
1	PE970609	HARNESS CONTROL BOARD 5 SERIES	1	EA	

PRODUCE AREA

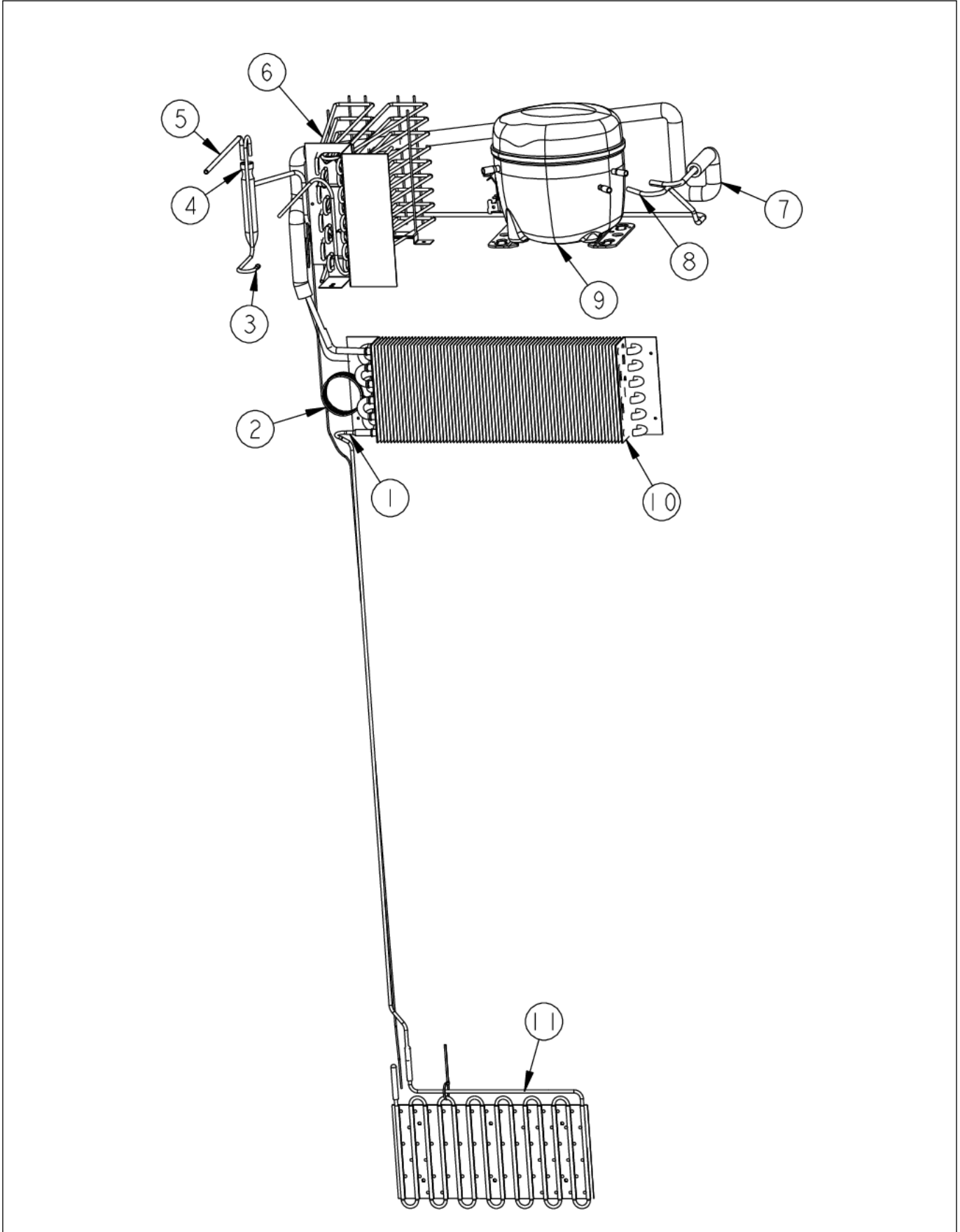






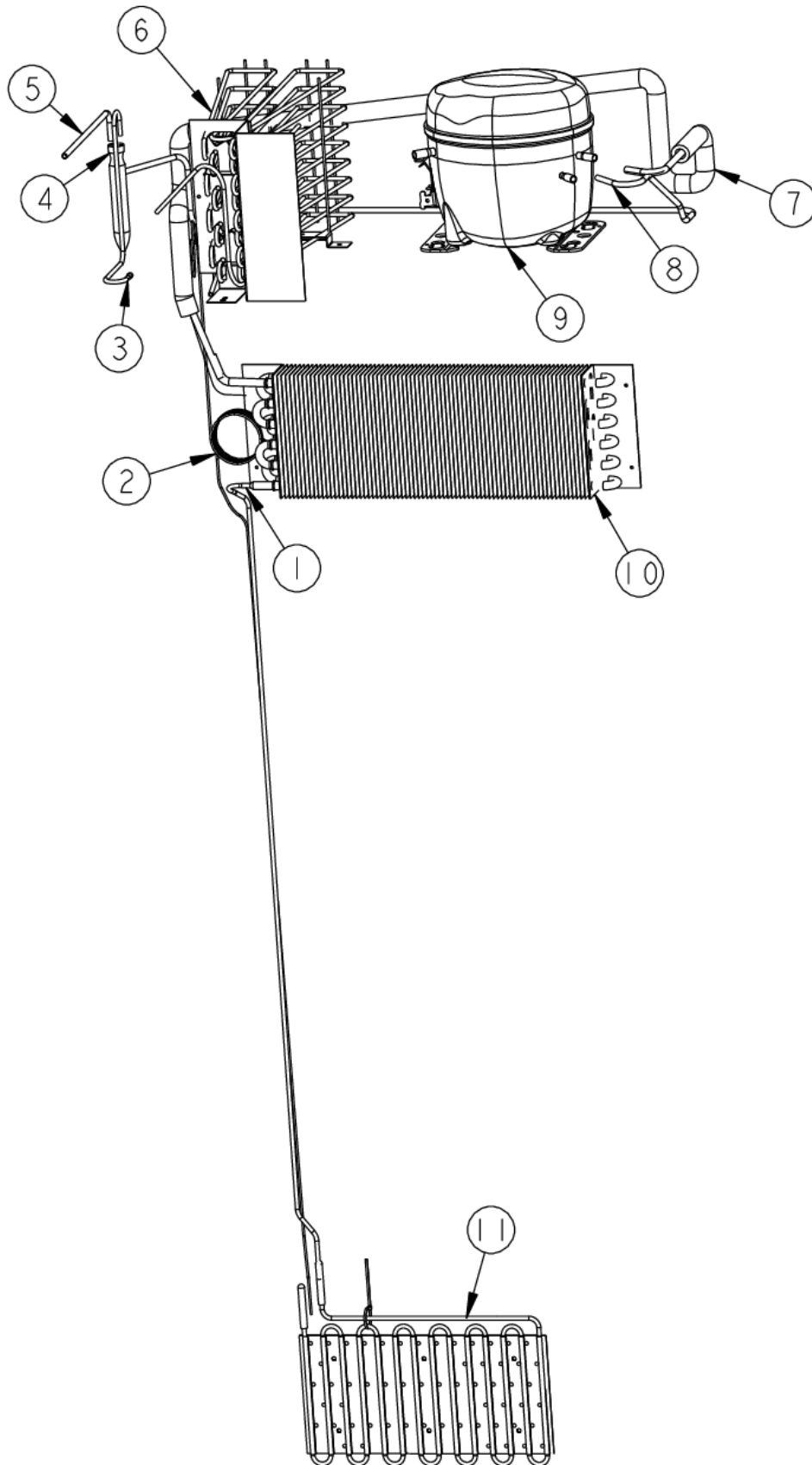
Item	Part No.	Name	Qty	Uom	NOTES
1	043624-000	SHELF ASM GLASS 30 AR 48 FF	1	EA	
2	044219-000	SUPPORT SLIDER L	1	EA	
3	PD920161	SCR 8-16 PLASTITE PNP 3/8 S	1	EA	
4	PK030439	GLIDE CENTER SUPPORT	1	EA	
5	046255-000	SLIDE, DWR, SOFT CLOSE, LH	2	EA	
6	PD020032	SRW-8(A)X3/8"PH.WFR HD 7/16DIA*NICL	1	EA	
7	044214-000	SUPPORT SLIDER R	1	EA	
8	PM910343	RAIL DRAWER R	1	EA	
9	009925-000	PRODUCE AR 30 SXS 48	2	EA	
10	PM910342	RAIL DRAWER L	1	EA	
11	046235-000	SLIDE, DWR, SOFT CLOSE-RH	2	EA	

REFRIGERANT SYSTEM





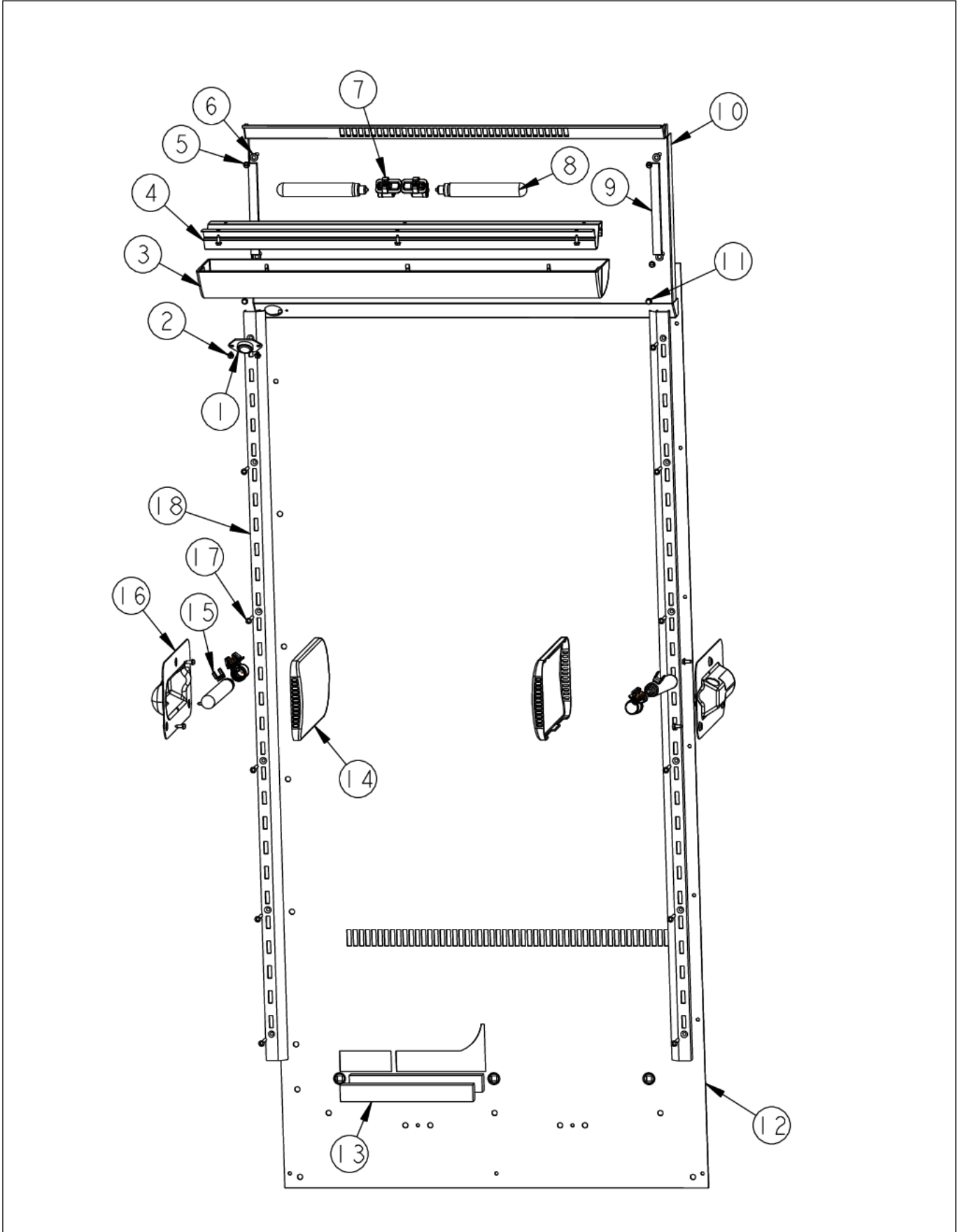
Item	Part No.	Name	Qty	Uom	NOTES
1	F20913719	TUBE EVAP AR 30	1	EA	
2	PB920246	TUBE CAPILLARY ASM AR 36 30	1	EA	
3	F2096669	TUBE-DRIER COND	1	EA	
4	PM010616	DRIER - HIGH SIDE	1	EA	
5	F2097740	TUBE PROCESS	1	EA	
6	PB920171	CONDENSER ASM	1	EA	
7	F20911126	TUBE SUCTION AR 30	1	EA	
8	F20910729	TUBE DISCHARGE AF AR 30	1	EA	
9	G50911820	COMPRESSOR KIT	1	EA	
<p>Comments for Part Num. G50911820</p> <p>bradleysapplianceservice@shaw.ca on Aug 24, 2018</p> <p>SUBS TO: 068640-000 COMPRESSOR KIT (COMES WITH INVERTER)</p> <p>SEE BULLETIN: TR-0101A-SP</p>					
Not Shown	NOTE	(INCLUDES DRIER)		EA	
10	065658-000	EVAPORATOR, AR, 30, ADAPTER	1	EA	
11	049987-000	MS HEAT EXCH ASM AR 36 30	1	EA	





Item	Part No.	Name	Qty	Uom	NOTES
Comments for Part Num. 049987-000					
bradleysapplianceservice@shaw.ca on Sep 22, 2017 SUBS TO: 049987-000 HEAT EXCHANGER AR 30" / 36" crystal@knservice.com on Sep 22, 2017 This new aluminum h/e melts where it meets the copper tip when welding during a repair. Any recommendations to prevent this?					
Reply by corcoran1@cox.net on Dec 21, 2017 Try heat sink and wrap it in wet towel, use oxy-acetylene torch as opposed to map gas					
Reply by bradleysapplianceservice@shaw.ca on Jun 5, 2018 Yes, we have used heat paste but wet rags torn into thin strips works just as good and readily available.					
Reply by tim@tnrappliance.com on Dec 20, 2018 this new aluminum is crap can barely heat it and the copper tip comes off. i now get to redo the job when i get another heat exchanger. has anyone used an epoxy to set the tubes.					
bradleysapplianceservice@shaw.ca on Jun 5, 2018 Use caution when brazing, must use heat sink to avoid melting the aluminum. Use heat paste or wet rags. Also be sure check ports before installing. We have had a plugged port from factory when they installed the copper ends they closed off the port internally. Can't be seen easily so use nitrogen to blow through ports to be sure they are not plugged. It would have been nice to see at least 3 more inches of copper on the ends. It's easier to cut the above tubing to size than deal with these stubby copper ports.					

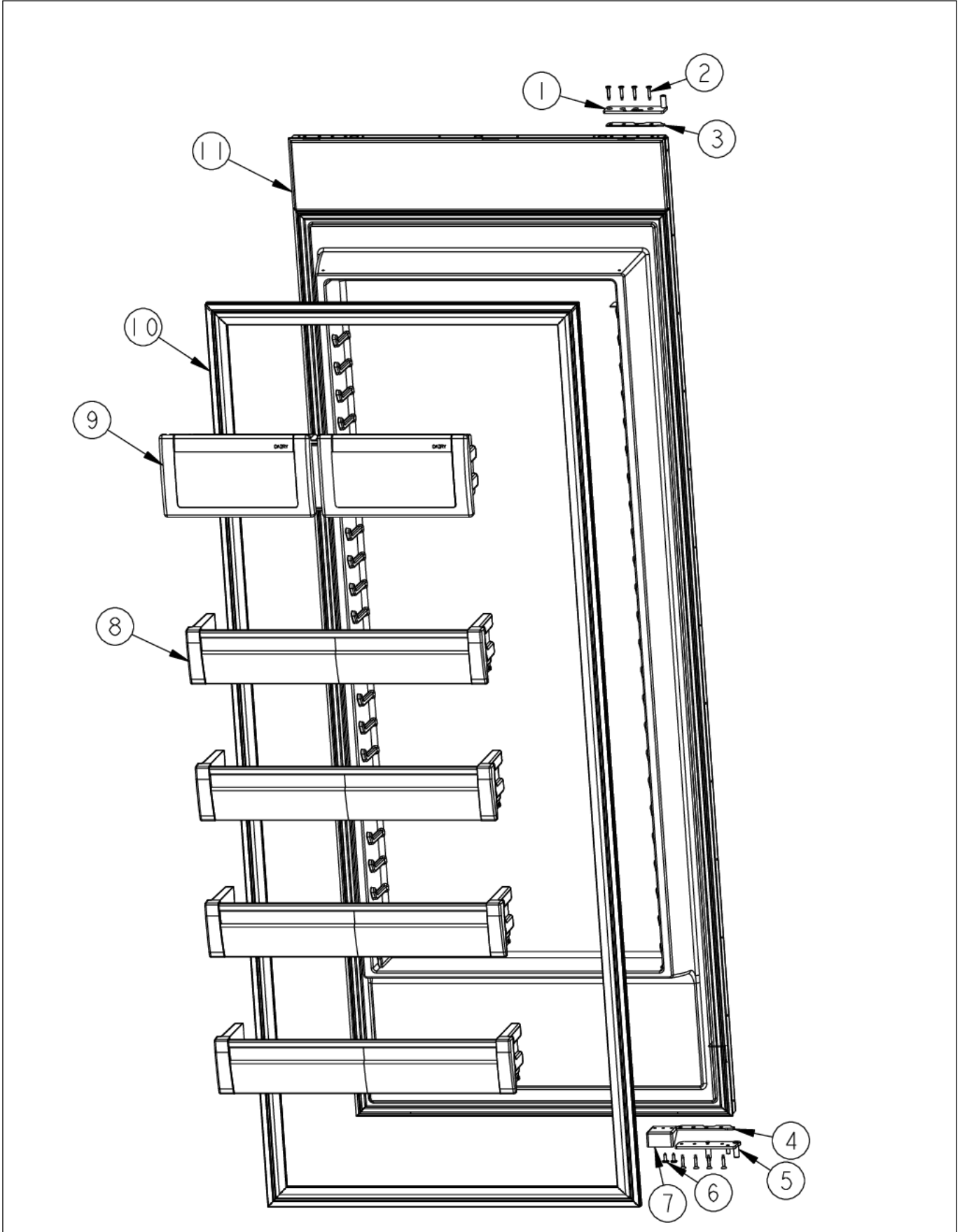
REFRIGERATOR COMPARTMENT





Item	Part No.	Name	Qty	Uom	NOTES
1	C8983701	THERMISTOR	1	EA	
2	M0211014	SCREW-SM	1	EA	Not available online / Call for pricing and availability
3	020114-000	COVER LIGHT ASM AF/AR 30 SXS 48 FF	1	EA	
4	L2099492	BRACKET LIGHT SXS 48 FF	1	EA	
5	PD020238	SCR WH HEX WSHR HD SLTD #8-18 X 1/2	1	EA	
6	PD040150	WASHER FLAT NYLON #10	1	EA	
7	PE950125	LIGHT SOCKET	1	EA	
8	004528-000	LAMP, 40 WATT CLEAR LIGHT	1	EA	
9	PB070288	1/4" X 1/2" CLOSED CELL SPONGE	1	EA	
10	L20914101	COVER EVAP AR 30	1	EA	
11	PD020194	SCR, HEX SRTD WSHR HD, #8- 18 X 1/2	1	EA	
12	L20910734	COVER LARGE SUMP AR 30	1	EA	
13	A3030361	GASKET RED	1	EA	
14	PK930346	COVER LIGHT	1	EA	
15	B5733302	CLIP-GROUND	1	EA	
16	10270203	HOUSING-LIGHT V10270203	1	EA	
17	M0238535	SCREW-SM	1	EA	
18	PM910280	LADDER SIDE AR 30 36	1	EA	

REFRIGERATOR DOOR FOAM AREA

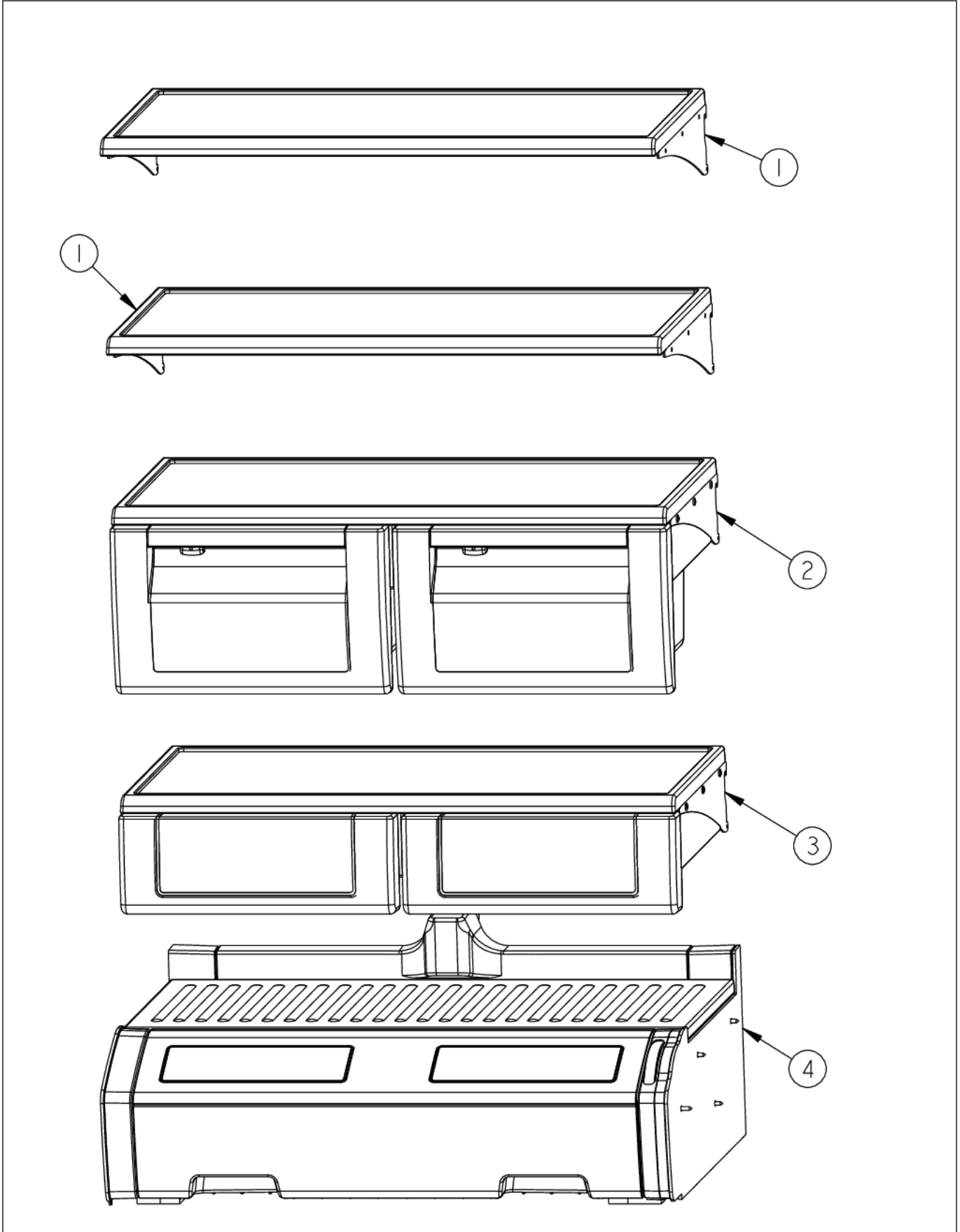






Item	Part No.	Name	Qty	Uom	NOTES
1	PC020279	PIVOT PL ASM LH UP PRO/DES	1	EA	
NI	PC020278	PIVOT PL ASM RH UP PRO/DES	1	EA	
2	PD920174	10X7/8 PHILLIPS SMA TRI LOBE SA	1	EA	
3	PD040162	SPACER-DOOR HINGE	1	EA	
4	001617-000	SPACER,NYL,PIVOT PLATE	1	EA	
5	016182-000	PIVOT PL ASM LH LW PRO/DES	1	EA	
NI	016181-000	PIVOT PL ASM RH LW PRO/DES	1	EA	
6	M0210458	SUB TO VM0210458	1	EA	
7	PD050019	STRIKER DOOR SWITCH	1	EA	
8	036886-000	DOORBIN ASM SXS 48 FF	1	EA	
9	V12203602	DAIRY MODULE ASSY #	1	EA	
10	001955-000	SERV GASKET FACE CHARGE	1	EA	
Not Shown	NOTE	(BEFORE 06-10-08)		EA	
10	005448-000	GASKET,ASM,30,AFAR VID# 602711327-17	1	EA	
Not Shown	NOTE	(ON OR AFTER 06-10-08)		EA	
11	G32915041	DOOR ASM AR 30	1	EA	
Not Shown	NOTE	(Includes Gasket)		EA	

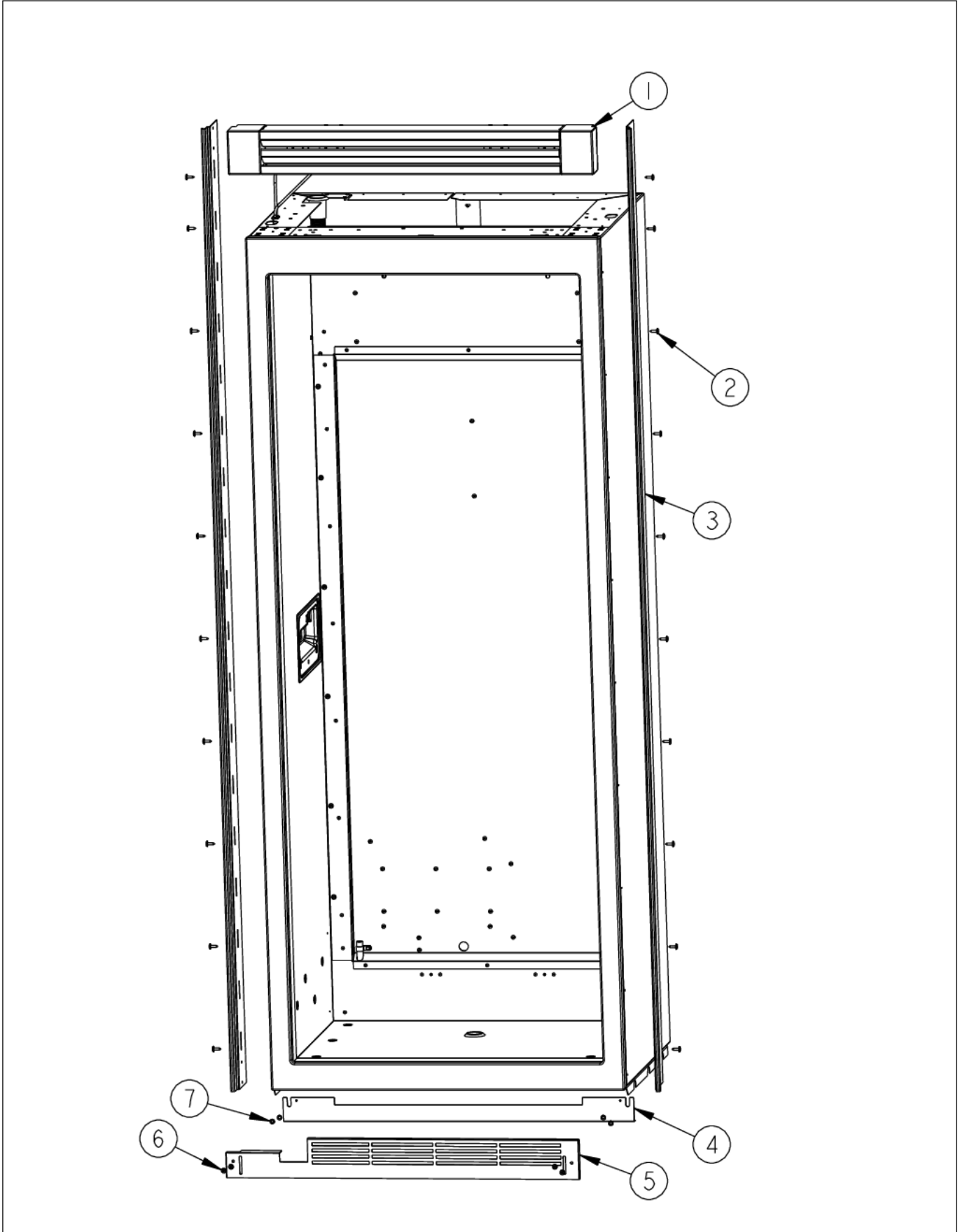
REFRIGERATOR SHELVING





Item	Part No.	Name	Qty	Uom	NOTES
1	043624-000	SHELF ASM GLASS 30 AR 48 FF	1	EA	
2	Produce Drawer Area	FOR BREAKDOWN SEE PAGE 003	1	EA	Not available online / Call for pricing and availability
3	DELI DRAWER AREA	FOR BREAKDOWN SEE PAGE 003	1	EA	
4	Meat Saver Drawer	FOR BREAKDOWN SEE PAGE 004	1	EA	Not available online / Call for pricing and availability

UNIT EXTERIOR

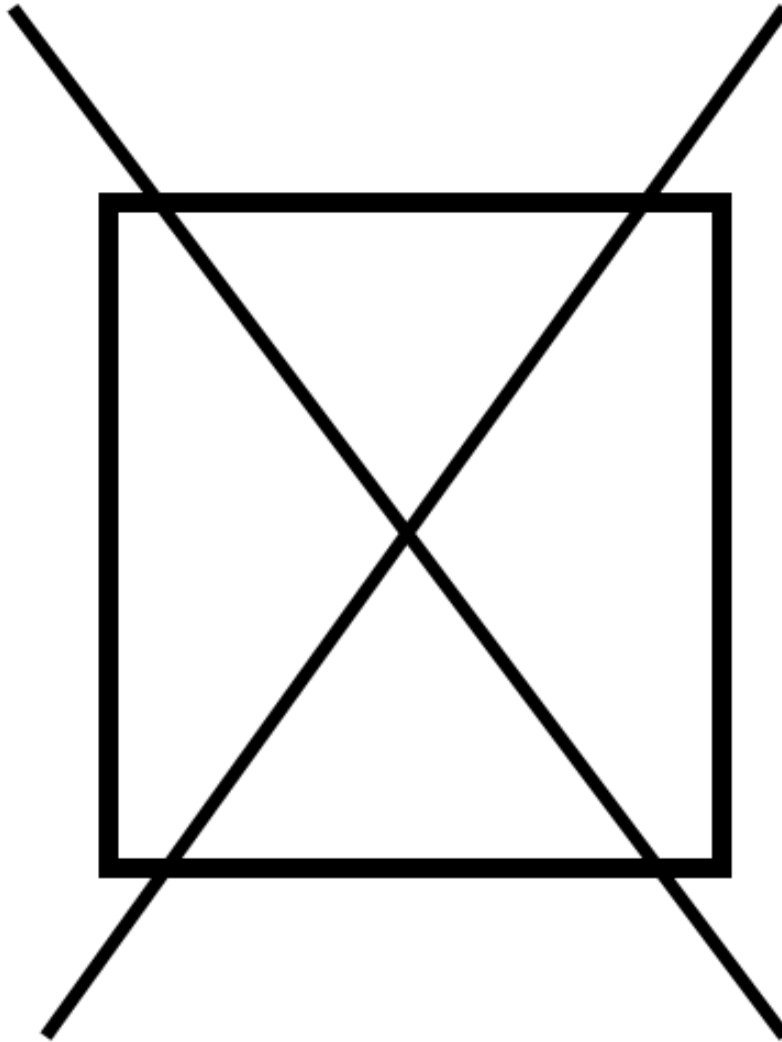




Item	Part No.	Name	Qty	Uom	NOTES
1	G32911143	GRILLE ASM AF AR 30 DES L	1	EA	
NI	G32911151	GRILLE ASM AF AR 30 DES R	1	EA	
Not Shown	NOTE	(FOR BREAKDOWN SEE PAGE 011)		EA	
2	M0210458	SUB TO VM0210458	1	EA	
3	PK920066	TRIM, EXTRU, SIDE DES	1	EA	
4	000206-002	KICKPLATE, LWR	1	EA	
5	C90910752BK	GRILLE TOE VENTED 30 LH	1	EA	
NI	C90910758BK	GRILLE TOE VENTED 30 R *BK*	1	EA	
6	M0210443	SCREW-E SM VM0210443	1	EA	
7	40370P01	NYLON FLAT WASHER V40370P01	1	EA	
NI	G50915030	GRILLE TOE ASM AF AR 30 L	1	EA	
Not Shown	NOTE	(CONTAINS ITEMS #4 - #7)		EA	
NI	G50915029	GRILLE TOE ASM AF AR 30 R	1	EA	
Not Shown	NOTE	(CONTAINS ITEMS #4 - #7)		EA	

UPPER UNIT AREA

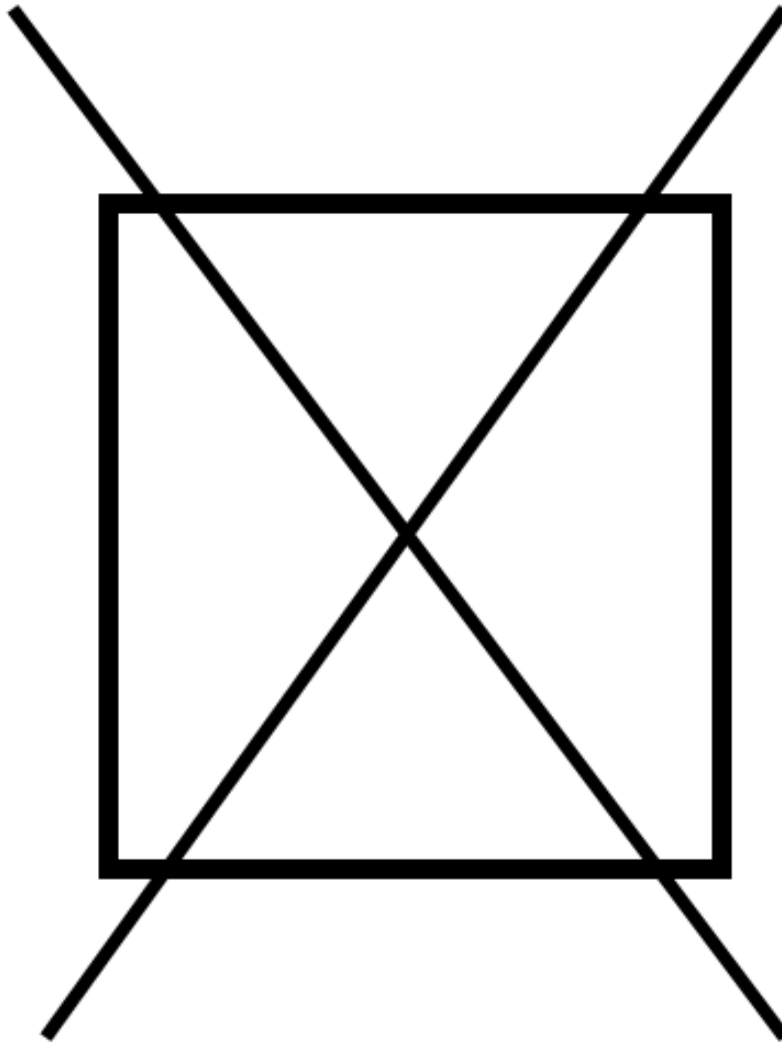
NON  
ILLUSTRATED PART





Item	Part No.	Name	Qty	Uom	NOTES
1	K20912569	BRACKET GRILLE SUPPORT	1	EA	
2	PD020010	10 X 3/8 GREEN GROUNDING SCREW	1	EA	
3	M0104106	CLIP-CORD VM0104106	1	EA	
4	PC920204	HINGE ASM UL	1	EA	
NI	PC920203	HINGE ASM UR	1	EA	
5	000570-000	FASTENER, BOLT, 1/4-20 IHXWS 1" S ZN SER	1	EA	
6	PM010616	DRIER - HIGH SIDE	1	EA	
7	F2097740	TUBE PROCESS	1	EA	
8	F2096669	TUBE-DRIER COND	1	EA	
9	10547001	CLIP-DRIER V10547001	1	EA	
10	PD020195	SCR 8-18 X 5/8	1	EA	
11	G5096494	COND. FAN ASSY	1	EA	
12	F2096507	TUBE-PROCESS GRN	1	EA	
13	G50911820	COMPRESSOR KIT	1	EA	
<p>Comments for Part Num. G50911820</p> <p>bradleysapplianceservice@shaw.ca on Aug 24, 2018</p> <p>SUBS TO: 068640-000 COMPRESSOR KIT (COMES WITH INVERTER)</p> <p>SEE BULLETIN: TR-0101A-SP</p>					
Not Shown	NOTE	(INCLUDES DRIER)		EA	
14	F20910729	TUBE DISCHARGE AF AR 30	1	EA	
15	M0221523	SCREW - SHLDR	1	EA	
16	050894-000	ASSY, BKT, PWR SUPPLY, 24VDC, REF	1	EA	
17	M0104102	CLIP-CORD RED	1	EA	
18	10835901	GROMMET RUBBER V10835901	1	EA	
19	002573-000	CLAMP CORD	1	EA	
20	PB920171	CONDENSER ASM	1	EA	
21	G50915958	ASM AR SABBATH MODE RELAY	1	EA	
22	M0327801	TAP-ELECTRO	1	EA	
23	011666-000	INVERTER,CMPR,ASM	1	EA	

NON  
ILLUSTRATED PART







Item	Part No.	Name	Qty	Uom	NOTES
Comments for Part Num. 011666-000					
gboltz@VikingRange.com on Aug 9, 2018					
See 2018-01P Parts Bulletin					
24	PD020194	SCR, HEX SRTD WSHR HD, #8-18 X 1/2	1	EA	



Appendix A:Pages Index

10916507 POWER CORD ..... 1  
CONTROL AREA ..... 2  
DELI DRAWER ..... 3  
DOOR SKIN AREA ..... 4  
EVAPORATOR AREA ..... 5  
LOWER UNIT AREA ..... 6  
MC COVER AND UPPER GRILLE AREA ..... 7  
MEAT SAVER DRAWER ..... 8  
PE070785 HIGH VOLT HARNESS ..... 9  
PE070877 MACHINE HARNESS ..... 10  
PE970461 FAN RESISTOR JUMPER ..... 11  
PE970464 LOW VOLT HARNESS ..... 12  
PE970609 CONTROL BOARD HARNESS ..... 13  
PRODUCE AREA ..... 14  
REFRIGERANT SYSTEM ..... 15  
REFRIGERATOR COMPARTMENT ..... 16  
REFRIGERATOR DOOR FOAM AREA ..... 17  
REFRIGERATOR SHELVING ..... 18  
UNIT EXTERIOR ..... 19  
UPPER UNIT AREA ..... 20



Appendix B:Parts Index

000206-002	19	A3030361	2, 5, 16
000570-000	6, 20	A4554806	6, 7
001617-000	4, 17	A4554817	2, 6
001955-000	17	B20915627	6
002573-000	20	B20915907	4
002667-000	6	B20915908	4
002668-000	6	B5733302	16
004528-000	16	C8983701	16
004551-000	6, 8	C90910752BK	19
005319-000	2	C90910758BK	19
005448-000	17	C90915907BK	4
009925-000	14	C90915907BT	4
011666-000	20	C90915907GG	4
014581-000	4, 4	C90915907SG	4
016181-000	4, 17	C90915907WH	4
016182-000	4, 17	C90915908BK	4
020114-000	16	C90915908BT	4
020822-000	8	C90915908GG	4
036886-000	17	C90915908SG	4
043624-000	3, 14, 18	C90915908WH	4
044214-000	3, 14	F20910729	15, 20
044219-000	3, 14	F20911126	5, 15
044232-000	8	F20913719	5, 15
044384-000	8	F2096507	20
045692-000	8	F2096669	15, 20
046235-000	3, 14	F2097740	15, 20
046255-000	3, 14	F2099927	6
049987-000	5, 15	G32911143	19
050894-000	20	G32911151	19
056843-000	4	G32915041	17
060890-000	6	G50911820	15, 20
060891-000	6	G50914134	5
065658-000	5, 15	G50914188	5
10270203	16	G50915029	19
10547001	20	G50915030	19
10835901	20	G50915603	6
10916507	1, 7	G50915958	20
12064001	2	G5096494	20
12115101	5	K20910060	2
40370P01	19	K20910061	2
		K20911832	6



DDRB304JMAGR SERIES

K20912393	5	M0585506	2
K20912394	5	M2099930	7
K20912569	20	Meat Saver Drawer	18
K20914102	5	PB070288	5, 5, 16
K20915000	2	PB070355	7
K20915675	7	PB070356	7
K20915953	6	PB070357	7
K2097526	4	PB920171	15, 20
K2098044	6	PB920246	5, 15
K2098096	6	PB970171	7
K2098654	2	PC020278	4, 17
K2099402	2	PC020279	4, 17
K2099455	7	PC020288	6
K2099459	7	PC020289	6
K2099460	7	PC040010	2, 6, 7
K2099470	7	PC910015	6
K2099471	7	PC920144	6
K2099932	7	PC920145	6
L20910734	16	PC920149	6
L20913709WH	5	PC920166	6
L20914101	16	PC920203	20
L2099492	16	PC920204	20
M0104102	6, 20	PD020010	6, 20
M0104106	2, 5, 6, 20	PD020013	2
M0204303	4	PD020032	3, 5, 14
M0210443	19	PD020194	2, 5, 6, 7, 16, 20
M0210458	4, 17, 19	PD020195	8, 20
M0211014	16	PD020233	7
M0211021	8	PD020238	5, 16
M0215318	7	PD020274	6
M0215704	4	PD030146	6
M0220417	6	PD030152	4
M0221523	6, 20	PD040150	5, 16
M0223509	7	PD040157	7
M0224128	2, 7, 8	PD040162	4, 17
M0238535	16	PD050019	4, 17
M0238846	2	PD920161	3, 14
M0253916	6	PD920162	8
M0288120	2	PD920174	4, 17
M0327801	6, 20	PD940090	6
M0585504	2	PD940091	6



DDRB304JMAGR SERIES

PD940094	6	PM910072	7
PD940107	6	PM910280	16
PE030166	4	PM910287	8
PE030166PVD	4	PM910288	8
PE050248	6	PM910325	2
PE070728	2	PM910334	8
PE070785	9	PM910342	3, 14
PE070877	10	PM910343	3, 14
PE950122	2	PM910348	7
PE950125	16	PM910349	7
PE950147	6	PM910406	7
PE950149	2	PM910407	7
PE950183	2	PM910408	7
PE970464	12	PM910420	7
PE970609	13	Produce Drawer Area	18
PE970641	11	V12203602	17
PK030439	3, 14		
PK030445	5		
PK030446	5		
PK030456	2		
PK030457	2		
PK050004	7		
PK910089	7		
PK920066	19		
PK930006	4, 4		
PK930172	8		
PK930173	8		
PK930174	8		
PK930175	8		
PK930176	8		
PK930283	8		
PK930284	8		
PK930305	3		
PK930307	8		
PK930308	8		
PK930309	8		
PK930346	16		
PK930347	6		
PM010616	15, 20		
PM910068	4		
PM910071	7		